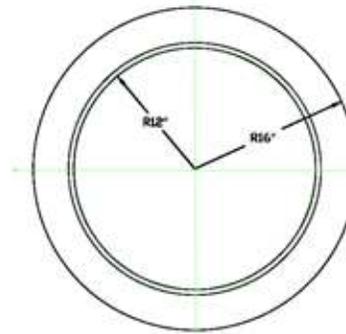


105 GRAVITY FLOW TANK

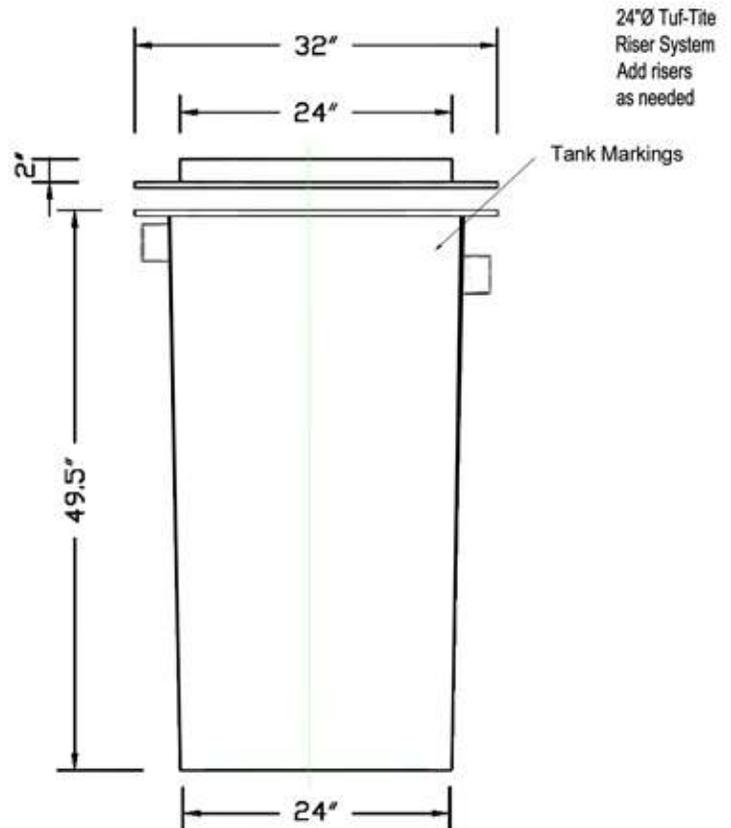
| | |
|---|----------------------------|
| MATERIALS | Glass-Reinforced Polyester |
| TOTAL CAPACITY | 105 GAL |
| LENGTH | 32 INCHES |
| WIDTH | 32 INCHES |
| HEIGHT | 49.5 INCHES |
| MANWAY | 24" |
| INLET INVERT | 44 INCHES |
| OUTLET INVERT | 42 INCHES |
| COMPARTMENTS | ONE |
| MAXIMUM BURIAL DEPTH | 24 INCHES |
| MAXIMUM PIPE DIAMETER | 4" |
| JOINT SEALANT | Conseal CS-102 or equal |
| WEIGHT | 84 LBS. |
| DISPLACED WEIGHT (assuming saturated conditions) | 962 LBS. |
| BUOYANCY FORCE | 878 LBS. |

General Notes

- The inlet and out holes are not drilled in the tank to give the installer flexibility in the field.
- Use a 5" hole saw to drill inlet and outlet holes when utilizing 4" Jones Seal Gaskets
- If installing the tank in saturated soil conditions, or a seasonal highwater area you may need to utilize up-lift restraints. See installation manual for guidance.



TOP VIEW



SIDE VIEW

TITLE:

**105 GRAVITY FLOW
TANK**

CONSOLIDATED

TREATMENT SYSTEMS

1501 Commerce Center Drive
Franklin, Ohio 45005

937-746-2727

Volume Table

105 Gallon Tank

(Liquid Depth in inches)

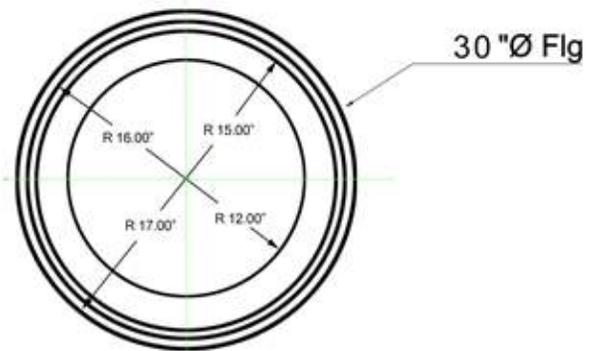
| (in) | (gal) | (in) | (gal) | (in) | (gal) | (in) | (gal) | (in) | (gal) |
|-------|--------|--------|--------|--------|--------|--------|--------|--------|---------|
| 0.000 | 0.000 | 10.000 | 19.916 | 20.000 | 40.503 | 30.000 | 61.771 | 40.000 | 83.732 |
| 0.125 | 0.245 | 10.125 | 20.169 | 20.125 | 40.765 | 30.125 | 62.041 | 40.125 | 84.011 |
| 0.250 | 0.490 | 10.250 | 20.423 | 20.250 | 41.026 | 30.250 | 62.312 | 40.250 | 84.290 |
| 0.375 | 0.735 | 10.375 | 20.676 | 20.375 | 41.288 | 30.375 | 62.582 | 40.375 | 84.569 |
| 0.500 | 0.980 | 10.500 | 20.929 | 20.500 | 41.550 | 30.500 | 62.853 | 40.500 | 84.849 |
| 0.625 | 1.225 | 10.625 | 21.183 | 20.625 | 41.812 | 30.625 | 63.123 | 40.625 | 85.128 |
| 0.750 | 1.471 | 10.750 | 21.437 | 20.750 | 42.074 | 30.750 | 63.394 | 40.750 | 85.408 |
| 0.875 | 1.716 | 10.875 | 21.691 | 20.875 | 42.336 | 30.875 | 63.665 | 40.875 | 85.687 |
| 1.000 | 1.962 | 11.000 | 21.944 | 21.000 | 42.599 | 31.000 | 63.936 | 41.000 | 85.967 |
| 1.125 | 2.207 | 11.125 | 22.199 | 21.125 | 42.861 | 31.125 | 64.207 | 41.125 | 86.247 |
| 1.250 | 2.453 | 11.250 | 22.453 | 21.250 | 43.124 | 31.250 | 64.478 | 41.250 | 86.527 |
| 1.375 | 2.699 | 11.375 | 22.707 | 21.375 | 43.387 | 31.375 | 64.750 | 41.375 | 86.807 |
| 1.500 | 2.945 | 11.500 | 22.961 | 21.500 | 43.649 | 31.500 | 65.021 | 41.500 | 87.087 |
| 1.625 | 3.191 | 11.625 | 23.216 | 21.625 | 43.912 | 31.625 | 65.292 | 41.625 | 87.367 |
| 1.750 | 3.437 | 11.750 | 23.470 | 21.750 | 44.175 | 31.750 | 65.564 | 41.750 | 87.647 |
| 1.875 | 3.684 | 11.875 | 23.725 | 21.875 | 44.438 | 31.875 | 65.836 | 41.875 | 87.927 |
| 2.000 | 3.930 | 12.000 | 23.980 | 22.000 | 44.702 | 32.000 | 66.108 | 42.000 | 88.209 |
| 2.125 | 4.177 | 12.125 | 24.234 | 22.125 | 44.965 | 32.125 | 66.380 | 42.125 | 88.489 |
| 2.250 | 4.423 | 12.250 | 24.489 | 22.250 | 45.228 | 32.250 | 66.652 | 42.250 | 88.770 |
| 2.375 | 4.670 | 12.375 | 24.744 | 22.375 | 45.492 | 32.375 | 66.924 | 42.375 | 89.051 |
| 2.500 | 4.917 | 12.500 | 25.000 | 22.500 | 45.756 | 32.500 | 67.196 | 42.500 | 89.332 |
| 2.625 | 5.164 | 12.625 | 25.255 | 22.625 | 46.019 | 32.625 | 67.468 | 42.625 | 89.613 |
| 2.750 | 5.411 | 12.750 | 25.510 | 22.750 | 46.283 | 32.750 | 67.741 | 42.750 | 89.894 |
| 2.875 | 5.658 | 12.875 | 25.766 | 22.875 | 46.547 | 32.875 | 68.014 | 42.875 | 90.176 |
| 3.000 | 5.905 | 13.000 | 26.021 | 23.000 | 46.811 | 33.000 | 68.286 | 43.000 | 90.457 |
| 3.125 | 6.152 | 13.125 | 26.277 | 23.125 | 47.075 | 33.125 | 68.559 | 43.125 | 90.739 |
| 3.250 | 6.400 | 13.250 | 26.533 | 23.250 | 47.340 | 33.250 | 68.832 | 43.250 | 91.021 |
| 3.375 | 6.647 | 13.375 | 26.789 | 23.375 | 47.604 | 33.375 | 69.105 | 43.375 | 91.302 |
| 3.500 | 6.895 | 13.500 | 27.045 | 23.500 | 47.869 | 33.500 | 69.378 | 43.500 | 91.584 |
| 3.625 | 7.143 | 13.625 | 27.301 | 23.625 | 48.133 | 33.625 | 69.651 | 43.625 | 91.866 |
| 3.750 | 7.391 | 13.750 | 27.557 | 23.750 | 48.398 | 33.750 | 69.925 | 43.750 | 92.148 |
| 3.875 | 7.639 | 13.875 | 27.813 | 23.875 | 48.663 | 33.875 | 70.198 | 43.875 | 92.431 |
| 4.000 | 7.887 | 14.000 | 28.070 | 24.000 | 48.928 | 34.000 | 70.472 | 44.000 | 92.713 |
| 4.125 | 8.135 | 14.125 | 28.326 | 24.125 | 49.193 | 34.125 | 70.746 | 44.125 | 92.996 |
| 4.250 | 8.383 | 14.250 | 28.583 | 24.250 | 49.458 | 34.250 | 71.019 | 44.250 | 93.278 |
| 4.375 | 8.632 | 14.375 | 28.840 | 24.375 | 49.723 | 34.375 | 71.293 | 44.375 | 93.561 |
| 4.500 | 8.880 | 14.500 | 29.097 | 24.500 | 49.989 | 34.500 | 71.567 | 44.500 | 93.844 |
| 4.625 | 9.129 | 14.625 | 29.354 | 24.625 | 50.254 | 34.625 | 71.841 | 44.625 | 94.127 |
| 4.750 | 9.377 | 14.750 | 29.611 | 24.750 | 50.520 | 34.750 | 72.116 | 44.750 | 94.410 |
| 4.875 | 9.626 | 14.875 | 29.868 | 24.875 | 50.785 | 34.875 | 72.390 | 44.875 | 94.693 |
| 5.000 | 9.875 | 15.000 | 30.125 | 25.000 | 51.051 | 35.000 | 72.664 | 45.000 | 94.976 |
| 5.125 | 10.124 | 15.125 | 30.382 | 25.125 | 51.317 | 35.125 | 72.939 | 45.125 | 95.259 |
| 5.250 | 10.373 | 15.250 | 30.640 | 25.250 | 51.583 | 35.250 | 73.214 | 45.250 | 95.543 |
| 5.375 | 10.622 | 15.375 | 30.897 | 25.375 | 51.849 | 35.375 | 73.488 | 45.375 | 95.826 |
| 5.500 | 10.872 | 15.500 | 31.155 | 25.500 | 52.115 | 35.500 | 73.763 | 45.500 | 96.110 |
| 5.625 | 11.121 | 15.625 | 31.413 | 25.625 | 52.382 | 35.625 | 74.038 | 45.625 | 96.394 |
| 5.750 | 11.371 | 15.750 | 31.671 | 25.750 | 52.648 | 35.750 | 74.313 | 45.750 | 96.678 |
| 5.875 | 11.620 | 15.875 | 31.929 | 25.875 | 52.915 | 35.875 | 74.589 | 45.875 | 96.962 |
| 6.000 | 11.870 | 16.000 | 32.187 | 26.000 | 53.181 | 36.000 | 74.864 | 46.000 | 97.246 |
| 6.125 | 12.120 | 16.125 | 32.445 | 26.125 | 53.448 | 36.125 | 75.139 | 46.125 | 97.530 |
| 6.250 | 12.370 | 16.250 | 32.704 | 26.250 | 53.715 | 36.250 | 75.415 | 46.250 | 97.815 |
| 6.375 | 12.620 | 16.375 | 32.962 | 26.375 | 53.982 | 36.375 | 75.691 | 46.375 | 98.099 |
| 6.500 | 12.870 | 16.500 | 33.221 | 26.500 | 54.249 | 36.500 | 75.966 | 46.500 | 98.384 |
| 6.625 | 13.120 | 16.625 | 33.479 | 26.625 | 54.516 | 36.625 | 76.242 | 46.625 | 98.668 |
| 6.750 | 13.370 | 16.750 | 33.738 | 26.750 | 54.784 | 36.750 | 76.518 | 46.750 | 98.953 |
| 6.875 | 13.621 | 16.875 | 33.997 | 26.875 | 55.051 | 36.875 | 76.794 | 46.875 | 99.238 |
| 7.000 | 13.871 | 17.000 | 34.256 | 27.000 | 55.318 | 37.000 | 77.071 | 47.000 | 99.523 |
| 7.125 | 14.122 | 17.125 | 34.515 | 27.125 | 55.586 | 37.125 | 77.347 | 47.125 | 99.808 |
| 7.250 | 14.373 | 17.250 | 34.774 | 27.250 | 55.854 | 37.250 | 77.623 | 47.250 | 100.093 |
| 7.375 | 14.624 | 17.375 | 35.033 | 27.375 | 56.122 | 37.375 | 77.900 | 47.375 | 100.379 |
| 7.500 | 14.875 | 17.500 | 35.293 | 27.500 | 56.390 | 37.500 | 78.176 | 47.500 | 100.664 |
| 7.625 | 15.126 | 17.625 | 35.552 | 27.625 | 56.658 | 37.625 | 78.453 | 47.625 | 100.950 |
| 7.750 | 15.377 | 17.750 | 35.812 | 27.750 | 56.926 | 37.750 | 78.730 | 47.750 | 101.236 |
| 7.875 | 15.628 | 17.875 | 36.072 | 27.875 | 57.194 | 37.875 | 79.007 | 47.875 | 101.521 |
| 8.000 | 15.880 | 18.000 | 36.331 | 28.000 | 57.462 | 38.000 | 79.284 | 48.000 | 101.807 |
| 8.125 | 16.131 | 18.125 | 36.591 | 28.125 | 57.731 | 38.125 | 79.561 | 48.125 | 102.093 |
| 8.250 | 16.383 | 18.250 | 36.851 | 28.250 | 58.000 | 38.250 | 79.839 | 48.250 | 102.379 |
| 8.375 | 16.634 | 18.375 | 37.111 | 28.375 | 58.268 | 38.375 | 80.116 | 48.375 | 102.666 |
| 8.500 | 16.886 | 18.500 | 37.372 | 28.500 | 58.537 | 38.500 | 80.393 | 48.500 | 102.952 |
| 8.625 | 17.138 | 18.625 | 37.632 | 28.625 | 58.806 | 38.625 | 80.671 | 48.625 | 103.239 |
| 8.750 | 17.390 | 18.750 | 37.892 | 28.750 | 59.075 | 38.750 | 80.949 | 48.750 | 103.525 |
| 8.875 | 17.642 | 18.875 | 38.153 | 28.875 | 59.344 | 38.875 | 81.227 | 48.875 | 103.812 |
| 9.000 | 17.895 | 19.000 | 38.414 | 29.000 | 59.613 | 39.000 | 81.505 | 49.000 | 104.099 |
| 9.125 | 18.147 | 19.125 | 38.674 | 29.125 | 59.883 | 39.125 | 81.783 | 49.125 | 104.386 |
| 9.250 | 18.399 | 19.250 | 38.935 | 29.250 | 60.152 | 39.250 | 82.061 | 49.250 | 104.673 |
| 9.375 | 18.652 | 19.375 | 39.196 | 29.375 | 60.422 | 39.375 | 82.339 | 49.375 | 104.960 |
| 9.500 | 18.905 | 19.500 | 39.457 | 29.500 | 60.691 | 39.500 | 82.618 | 49.500 | 105.247 |
| 9.625 | 19.157 | 19.625 | 39.719 | 29.625 | 60.961 | 39.625 | 82.896 | | |
| 9.750 | 19.410 | 19.750 | 39.980 | 29.750 | 61.231 | 39.750 | 83.175 | | |
| 9.875 | 19.663 | 19.875 | 40.241 | 29.875 | 61.501 | 39.875 | 83.453 | | |

126 GRAVITY FLOW TANK

| | |
|---|----------------------------|
| MATERIALS | Glass-Reinforced Polyester |
| TOTAL CAPACITY | 146 GAL |
| LENGTH | 30 INCHES |
| WIDTH | 30 INCHES |
| HEIGHT | 47.5 INCHES |
| MANWAY | 24" |
| INLET INVERT | 41 INCHES |
| OUTLET INVERT | 39 INCHES |
| COMPARTMENTS | ONE |
| MAXIMUM BURIAL DEPTH | 24 INCHES |
| MAXIMUM PIPE DIAMETER | 4" |
| JOINT SEALANT | Conseal CS-102 or equal |
| WEIGHT | 75 LBS. |
| DISPLACED WEIGHT (assuming saturated conditions) | 1701 LBS. |
| BUOYANCY FORCE | 1626 LBS. |

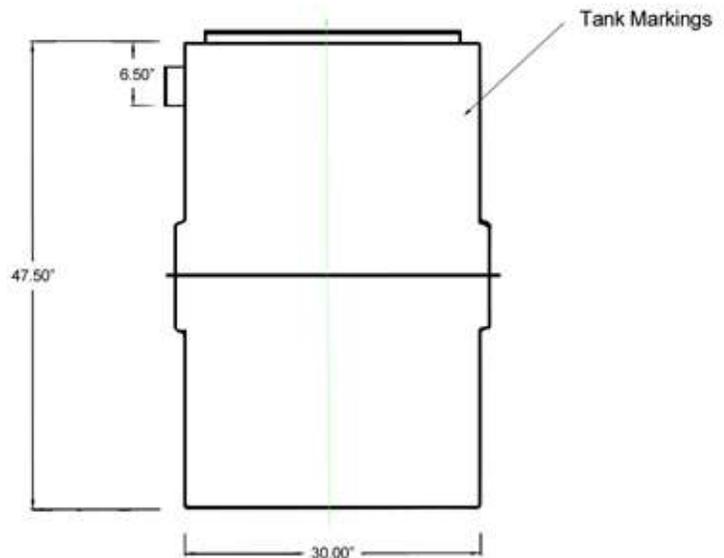
General Notes

- The inlet and out holes are not drilled in the tank to give the installer flexibility in the field.
- Use a 5" hole saw to drill inlet and outlet holes when utilizing 4" Jones Seal Gaskets
- If installing the tank in saturated soil conditions, or a seasonal highwater area you may need to utilize up-lift restraints. See installation manual for guidance.



TOP VIEW

24"Ø Tuf-Tite
Riser System
Add risers
as needed



SIDE VIEW

TITLE:

**126 GRAVITY FLOW
TANK**

CONSOLIDATED
TREATMENT SYSTEMS

1501 Commerce Center Drive
Franklin, Ohio 45005
937-746-2727

126 Volume Table

126 Gallon Tank

(Liquid Depth in inches)

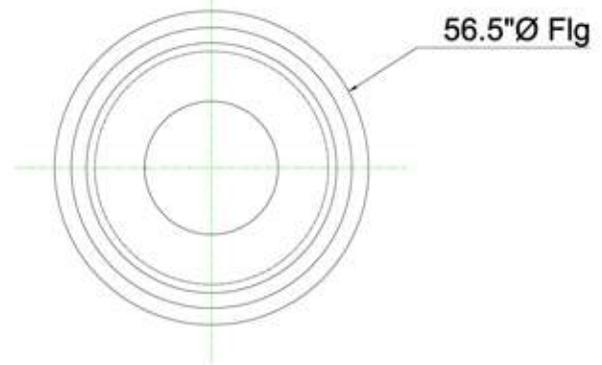
| (in) | (gal) | (in) | (gal) | (in) | (gal) | (in) | (gal) | (in) | (gal) |
|-------|-------|--------|-------|--------|-------|--------|--------|--------|--------|
| 0.000 | 0.000 | 10.000 | 29.59 | 20.000 | 60.01 | 30.000 | 93.74 | 40.000 | 123.33 |
| 1.000 | 2.96 | 11.000 | 32.55 | 21.000 | 63.38 | 31.000 | 96.70 | 41.000 | 126.29 |
| 2.000 | 5.92 | 12.000 | 35.51 | 22.000 | 66.75 | 32.000 | 99.66 | 42.000 | 129.25 |
| 3.000 | 8.88 | 13.000 | 38.46 | 23.000 | 70.13 | 33.000 | 102.62 | 43.000 | 132.21 |
| 4.000 | 11.84 | 14.000 | 41.42 | 24.000 | 73.50 | 34.000 | 105.58 | 44.000 | 135.17 |
| 5.000 | 14.79 | 15.000 | 44.38 | 25.000 | 76.87 | 35.000 | 108.54 | 45.000 | 138.13 |
| 6.000 | 17.75 | 16.000 | 47.34 | 26.000 | 80.25 | 36.000 | 111.50 | 46.000 | 141.08 |
| 7.000 | 20.71 | 17.000 | 50.30 | 27.000 | 83.62 | 37.000 | 114.45 | 47.000 | 144.04 |
| 8.000 | 23.67 | 18.000 | 53.26 | 28.000 | 87.00 | 38.000 | 117.41 | 47.500 | 147.00 |
| 9.000 | 26.63 | 19.000 | 56.63 | 29.000 | 90.37 | 39.000 | 120.37 | | |

300 P/T Tank

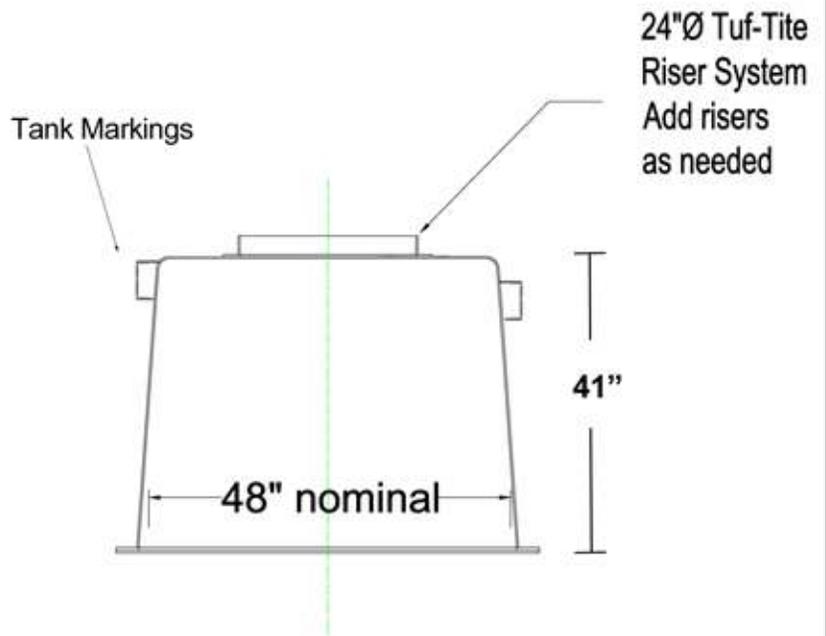
| | |
|---|----------------------------|
| MATERIALS | Glass-Reinforced Polyester |
| TOTAL CAPACITY | 319.5 GAL. |
| LENGTH | 56.5" |
| WIDTH | 56.5" |
| HEIGHT | 41" |
| MANWAY | 24" |
| INLET INVERT | 37" |
| OUTLET INVERT | 35" |
| COMPARTMENTS | One |
| MAXIMUM BURIAL DEPTH | 24 inches |
| MAXIMUM PIPE DIAMETER | 4" |
| JOINT SEALANT | Conseal CS-102 or equal |
| WEIGHT | 113 LBS. |
| DISPLACED WEIGHT (assuming saturated conditions) | 2519.4 LBS. |
| BUOYANCY FORCE | 2406.4 LBS. |

General Notes

- The inlet and out holes are not drilled in the tank to give the installer flexibility in the field.
- Use a 5" hole saw to drill inlet and outlet holes when utilizing 4" Jones Seal Gaskets
- The Pump tank comes with a junction box for electrical connections, and 2- 4" Jones Seal gaskets for the inlet and outlet pipes
- If installing the tank in saturated soil conditions, or a seasonal highwater area you may need to utilize up-lift restraints. See installation manual for guidance.



TOP VIEW



SIDE VIEW

Pump Tank

TITLE:

300 P/T

CONSOLIDATED
TREATMENT SYSTEMS

300 P/T Volume Table

300 Gallon Tank

(Liquid Depth in inches)

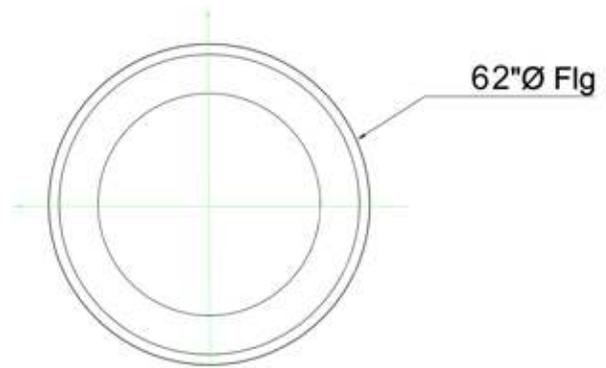
| (in) | (gal) | (in) | (gal) | (in) | (gal) | (in) | (gal) | (in) | (gal) |
|-------|-------|--------|-------|--------|-------|--------|-------|--------|-------|
| 0.000 | 0.0 | 10.000 | 71.0 | 20.000 | 146.4 | 30.000 | 226.4 | 40.000 | 310.9 |
| 0.125 | 0.9 | 10.125 | 71.9 | 20.125 | 147.4 | 30.125 | 227.4 | 40.125 | 312.0 |
| 0.250 | 1.7 | 10.250 | 72.8 | 20.250 | 148.4 | 30.250 | 228.4 | 40.250 | 313.1 |
| 0.375 | 2.6 | 10.375 | 73.8 | 20.375 | 149.4 | 30.375 | 229.5 | 40.375 | 314.1 |
| 0.500 | 3.4 | 10.500 | 74.7 | 20.500 | 150.3 | 30.500 | 230.5 | 40.500 | 315.2 |
| 0.625 | 4.3 | 10.625 | 75.6 | 20.625 | 151.3 | 30.625 | 231.5 | 40.625 | 316.3 |
| 0.750 | 5.2 | 10.750 | 76.5 | 20.750 | 152.3 | 30.750 | 232.6 | 40.750 | 317.3 |
| 0.875 | 6.0 | 10.875 | 77.4 | 20.875 | 153.3 | 30.875 | 233.6 | 40.875 | 318.4 |
| 1.000 | 6.9 | 11.000 | 78.4 | 21.000 | 154.2 | 31.000 | 234.6 | 41.000 | 319.5 |
| 1.125 | 7.8 | 11.125 | 79.3 | 21.125 | 155.2 | 31.125 | 235.7 | | |
| 1.250 | 8.6 | 11.250 | 80.2 | 21.250 | 156.2 | 31.250 | 236.7 | | |
| 1.375 | 9.5 | 11.375 | 81.1 | 21.375 | 157.2 | 31.375 | 237.7 | | |
| 1.500 | 10.4 | 11.500 | 82.0 | 21.500 | 158.1 | 31.500 | 238.8 | | |
| 1.625 | 11.2 | 11.625 | 83.0 | 21.625 | 159.1 | 31.625 | 239.8 | | |
| 1.750 | 12.1 | 11.750 | 83.9 | 21.750 | 160.1 | 31.750 | 240.9 | | |
| 1.875 | 13.0 | 11.875 | 84.8 | 21.875 | 161.1 | 31.875 | 241.9 | | |
| 2.000 | 13.9 | 12.000 | 85.7 | 22.000 | 162.1 | 32.000 | 242.9 | | |
| 2.125 | 14.7 | 12.125 | 86.7 | 22.125 | 163.1 | 32.125 | 244.0 | | |
| 2.250 | 15.6 | 12.250 | 87.6 | 22.250 | 164.0 | 32.250 | 245.0 | | |
| 2.375 | 16.5 | 12.375 | 88.5 | 22.375 | 165.0 | 32.375 | 246.1 | | |
| 2.500 | 17.3 | 12.500 | 89.5 | 22.500 | 166.0 | 32.500 | 247.1 | | |
| 2.625 | 18.2 | 12.625 | 90.4 | 22.625 | 167.0 | 32.625 | 248.1 | | |
| 2.750 | 19.1 | 12.750 | 91.3 | 22.750 | 168.0 | 32.750 | 249.2 | | |
| 2.875 | 20.0 | 12.875 | 92.2 | 22.875 | 169.0 | 32.875 | 250.2 | | |
| 3.000 | 20.8 | 13.000 | 93.2 | 23.000 | 169.9 | 33.000 | 251.3 | | |
| 3.125 | 21.7 | 13.125 | 94.1 | 23.125 | 170.9 | 33.125 | 252.3 | | |
| 3.250 | 22.6 | 13.250 | 95.0 | 23.250 | 171.9 | 33.250 | 253.4 | | |
| 3.375 | 23.5 | 13.375 | 96.0 | 23.375 | 172.9 | 33.375 | 254.4 | | |
| 3.500 | 24.4 | 13.500 | 96.9 | 23.500 | 173.9 | 33.500 | 255.5 | | |
| 3.625 | 25.2 | 13.625 | 97.8 | 23.625 | 174.9 | 33.625 | 256.5 | | |
| 3.750 | 26.1 | 13.750 | 98.8 | 23.750 | 175.9 | 33.750 | 257.6 | | |
| 3.875 | 27.0 | 13.875 | 99.7 | 23.875 | 176.9 | 33.875 | 258.6 | | |
| 4.000 | 27.9 | 14.000 | 100.7 | 24.000 | 177.9 | 34.000 | 259.7 | | |
| 4.125 | 28.8 | 14.125 | 101.6 | 24.125 | 178.9 | 34.125 | 260.7 | | |
| 4.250 | 29.6 | 14.250 | 102.5 | 24.250 | 179.9 | 34.250 | 261.8 | | |
| 4.375 | 30.5 | 14.375 | 103.5 | 24.375 | 180.9 | 34.375 | 262.8 | | |
| 4.500 | 31.4 | 14.500 | 104.4 | 24.500 | 181.9 | 34.500 | 263.9 | | |
| 4.625 | 32.3 | 14.625 | 105.3 | 24.625 | 182.9 | 34.625 | 264.9 | | |
| 4.750 | 33.2 | 14.750 | 106.3 | 24.750 | 183.9 | 34.750 | 266.0 | | |
| 4.875 | 34.1 | 14.875 | 107.2 | 24.875 | 184.8 | 34.875 | 267.0 | | |
| 5.000 | 35.0 | 15.000 | 108.2 | 25.000 | 185.8 | 35.000 | 268.1 | | |
| 5.125 | 35.8 | 15.125 | 109.1 | 25.125 | 186.8 | 35.125 | 269.1 | | |
| 5.250 | 36.7 | 15.250 | 110.1 | 25.250 | 187.8 | 35.250 | 270.2 | | |
| 5.375 | 37.6 | 15.375 | 111.0 | 25.375 | 188.8 | 35.375 | 271.3 | | |
| 5.500 | 38.5 | 15.500 | 111.9 | 25.500 | 189.9 | 35.500 | 272.3 | | |
| 5.625 | 39.4 | 15.625 | 112.9 | 25.625 | 190.9 | 35.625 | 273.4 | | |
| 5.750 | 40.3 | 15.750 | 113.8 | 25.750 | 191.9 | 35.750 | 274.4 | | |
| 5.875 | 41.2 | 15.875 | 114.8 | 25.875 | 192.9 | 35.875 | 275.5 | | |
| 6.000 | 42.1 | 16.000 | 115.7 | 26.000 | 193.9 | 36.000 | 276.6 | | |
| 6.125 | 43.0 | 16.125 | 116.7 | 26.125 | 194.9 | 36.125 | 277.6 | | |
| 6.250 | 43.9 | 16.250 | 117.6 | 26.250 | 195.9 | 36.250 | 278.7 | | |
| 6.375 | 44.8 | 16.375 | 118.6 | 26.375 | 196.9 | 36.375 | 279.8 | | |
| 6.500 | 45.7 | 16.500 | 119.5 | 26.500 | 197.9 | 36.500 | 280.8 | | |
| 6.625 | 46.6 | 16.625 | 120.5 | 26.625 | 198.9 | 36.625 | 281.9 | | |
| 6.750 | 47.5 | 16.750 | 121.4 | 26.750 | 199.9 | 36.750 | 283.0 | | |
| 6.875 | 48.4 | 16.875 | 122.4 | 26.875 | 200.9 | 36.875 | 284.0 | | |
| 7.000 | 49.3 | 17.000 | 123.3 | 27.000 | 201.9 | 37.000 | 285.1 | | |
| 7.125 | 50.1 | 17.125 | 124.3 | 27.125 | 202.9 | 37.125 | 286.2 | | |
| 7.250 | 51.0 | 17.250 | 125.3 | 27.250 | 204.0 | 37.250 | 287.2 | | |
| 7.375 | 51.9 | 17.375 | 126.2 | 27.375 | 205.0 | 37.375 | 288.3 | | |
| 7.500 | 52.9 | 17.500 | 127.2 | 27.500 | 206.0 | 37.500 | 289.4 | | |
| 7.625 | 53.8 | 17.625 | 128.1 | 27.625 | 207.0 | 37.625 | 290.5 | | |
| 7.750 | 54.7 | 17.750 | 129.1 | 27.750 | 208.0 | 37.750 | 291.5 | | |
| 7.875 | 55.6 | 17.875 | 130.0 | 27.875 | 209.0 | 37.875 | 292.6 | | |
| 8.000 | 56.5 | 18.000 | 131.0 | 28.000 | 210.0 | 38.000 | 293.7 | | |
| 8.125 | 57.4 | 18.125 | 132.0 | 28.125 | 211.1 | 38.125 | 294.7 | | |
| 8.250 | 58.3 | 18.250 | 132.9 | 28.250 | 212.1 | 38.250 | 295.8 | | |
| 8.375 | 59.2 | 18.375 | 133.9 | 28.375 | 213.1 | 38.375 | 296.9 | | |
| 8.500 | 60.1 | 18.500 | 134.8 | 28.500 | 214.1 | 38.500 | 298.0 | | |
| 8.625 | 61.0 | 18.625 | 135.8 | 28.625 | 215.1 | 38.625 | 299.1 | | |
| 8.750 | 61.9 | 18.750 | 136.8 | 28.750 | 216.1 | 38.750 | 300.1 | | |
| 8.875 | 62.8 | 18.875 | 137.7 | 28.875 | 217.2 | 38.875 | 301.2 | | |
| 9.000 | 63.7 | 19.000 | 138.7 | 29.000 | 218.2 | 39.000 | 302.3 | | |
| 9.125 | 64.6 | 19.125 | 139.7 | 29.125 | 219.2 | 39.125 | 303.4 | | |
| 9.250 | 65.5 | 19.250 | 140.6 | 29.250 | 220.2 | 39.250 | 304.5 | | |
| 9.375 | 66.4 | 19.375 | 141.6 | 29.375 | 221.3 | 39.375 | 305.5 | | |
| 9.500 | 67.4 | 19.500 | 142.6 | 29.500 | 222.3 | 39.500 | 306.6 | | |
| 9.625 | 68.3 | 19.625 | 143.5 | 29.625 | 223.3 | 39.625 | 307.7 | | |
| 9.750 | 69.2 | 19.750 | 144.5 | 29.750 | 224.3 | 39.750 | 308.8 | | |
| 9.875 | 70.1 | 19.875 | 145.5 | 29.875 | 225.4 | 39.875 | 309.8 | | |

500 P/T TANK

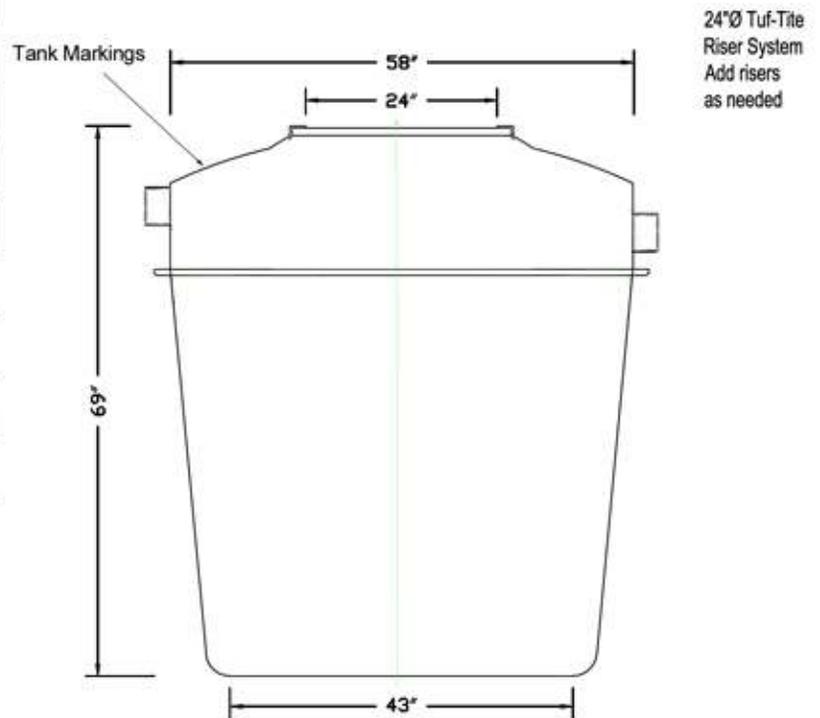
| | |
|---|----------------------------|
| MATERIALS | Glass-Reinforced Polyester |
| TOTAL CAPACITY | 675 GAL |
| LENGTH | 62 INCHES |
| WIDTH | 62 INCHES |
| HEIGHT | 69 INCHES |
| MANWAY | 24" |
| INLET INVERT | 57 INCHES |
| OUTLET INVERT | 55 INCHES |
| COMPARTMENTS | ONE |
| MAXIMUM BURIAL DEPTH | 24 INCHES |
| MAXIMUM PIPE DIAMETER | 4" |
| JOINT SEALANT | Conseal CS-102 or equal |
| WEIGHT | 250 LBS. |
| DISPLACED WEIGHT (assuming saturated conditions) | 5881 LBS. |
| BUOYANCY FORCE | 5631 LBS. |

General Notes

- The inlet and out holes are not drilled in the tank to give the installer flexibility in the field.
- Use a 5" hole saw to drill inlet and outlet holes when utilizing 4" Jones Seal Gaskets
- If using this Tank as a Septic/Trash tank it comes with 2-Sanitary Tees, and 2- 4" Jones Seal Gaskets for the inlet and outlet pipes.
- If using this tank as a Pump tank it comes with a junction box for electrical connections, and 2- 4" Jones Seals for the inlet and outlet pipes.
- If installing the tank in saturated soil conditions, or a seasonal highwater area you may need to utilize up-lift restraints. See installation manual for guidance.



TOP VIEW



SIDE VIEW

Trash/Pump Tank

TITLE:

500 P/T

CONSOLIDATED
TREATMENT SYSTEMS

1501 Commerce Center Drive
Franklin, Ohio 45005
937-746-2727

500 P/T Volume Table

(Liquid Depth in inches)

500 Gallon Tank

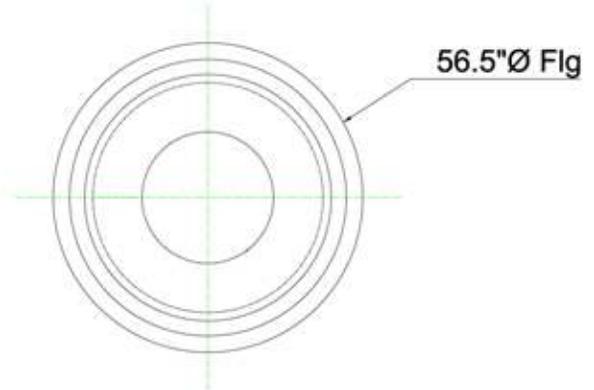
| (in) | (gal) | (in) | (gal) | (in) | (gal) | (in) | (gal) | (in) | (gal) | (in) | (gal) | (in) | (gal) |
|-------|--------|--------|---------|--------|---------|--------|---------|--------|---------|--------|---------|--------|---------|
| 0.000 | 0.000 | 10.000 | 80.815 | 20.000 | 171.235 | 30.000 | 269.083 | 40.000 | 374.652 | 50.000 | 488.236 | 60.000 | 606.678 |
| 0.125 | 0.793 | 10.125 | 81.900 | 20.125 | 172.412 | 30.125 | 270.354 | 40.125 | 376.022 | 50.125 | 489.707 | 60.125 | 608.058 |
| 0.250 | 1.0595 | 10.250 | 82.987 | 20.250 | 173.590 | 30.250 | 271.627 | 40.250 | 377.393 | 50.250 | 491.180 | 60.250 | 609.537 |
| 0.375 | 2.407 | 10.375 | 84.075 | 20.375 | 174.769 | 30.375 | 272.901 | 40.375 | 378.765 | 50.375 | 492.655 | 60.375 | 611.017 |
| 0.500 | 3.228 | 10.500 | 85.164 | 20.500 | 175.949 | 30.500 | 274.176 | 40.500 | 380.138 | 50.500 | 494.130 | 60.500 | 612.497 |
| 0.625 | 4.060 | 10.625 | 86.254 | 20.625 | 177.130 | 30.625 | 275.452 | 40.625 | 381.513 | 50.625 | 495.607 | 60.625 | 613.976 |
| 0.750 | 4.901 | 10.750 | 87.345 | 20.750 | 178.313 | 30.750 | 276.729 | 40.750 | 382.889 | 50.750 | 497.086 | 60.750 | 615.456 |
| 0.875 | 5.752 | 10.875 | 88.438 | 20.875 | 179.496 | 30.875 | 278.008 | 40.875 | 384.266 | 50.875 | 498.565 | 60.875 | 616.935 |
| 1.000 | 6.613 | 11.000 | 89.531 | 21.000 | 180.681 | 31.000 | 279.288 | 41.000 | 385.645 | 51.000 | 500.046 | 61.000 | 618.415 |
| 1.125 | 7.484 | 11.125 | 90.626 | 21.125 | 181.867 | 31.125 | 280.569 | 41.125 | 387.025 | 51.125 | 501.526 | 61.125 | 619.895 |
| 1.250 | 8.365 | 11.250 | 91.721 | 21.250 | 183.054 | 31.250 | 281.851 | 41.250 | 388.406 | 51.250 | 503.005 | 61.250 | 621.374 |
| 1.375 | 9.256 | 11.375 | 92.818 | 21.375 | 184.242 | 31.375 | 283.134 | 41.375 | 389.788 | 51.375 | 504.485 | 61.375 | 622.854 |
| 1.500 | 10.157 | 11.500 | 93.916 | 21.500 | 185.432 | 31.500 | 284.419 | 41.500 | 391.171 | 51.500 | 505.964 | 61.500 | 624.334 |
| 1.625 | 11.069 | 11.625 | 95.015 | 21.625 | 186.622 | 31.625 | 285.705 | 41.625 | 392.556 | 51.625 | 507.444 | 61.625 | 625.813 |
| 1.750 | 11.991 | 11.750 | 96.115 | 21.750 | 187.814 | 31.750 | 286.992 | 41.750 | 393.942 | 51.750 | 508.924 | 61.750 | 627.293 |
| 1.875 | 12.923 | 11.875 | 97.216 | 21.875 | 189.007 | 31.875 | 288.280 | 41.875 | 395.330 | 51.875 | 510.403 | 61.875 | 628.772 |
| 2.000 | 13.865 | 12.000 | 98.319 | 22.000 | 190.201 | 32.000 | 289.570 | 42.000 | 396.718 | 52.000 | 511.883 | 62.000 | 630.252 |
| 2.125 | 14.818 | 12.125 | 99.422 | 22.125 | 191.397 | 32.125 | 290.861 | 42.125 | 398.108 | 52.125 | 513.363 | 62.125 | 631.732 |
| 2.250 | 15.782 | 12.250 | 100.527 | 22.250 | 192.593 | 32.250 | 292.153 | 42.250 | 399.499 | 52.250 | 514.842 | 62.250 | 633.211 |
| 2.375 | 16.756 | 12.375 | 101.633 | 22.375 | 193.791 | 32.375 | 293.446 | 42.375 | 400.891 | 52.375 | 516.322 | 62.375 | 634.691 |
| 2.500 | 17.741 | 12.500 | 102.740 | 22.500 | 194.989 | 32.500 | 294.740 | 42.500 | 402.285 | 52.500 | 517.801 | 62.500 | 636.170 |
| 2.625 | 18.736 | 12.625 | 103.848 | 22.625 | 196.189 | 32.625 | 296.036 | 42.625 | 403.680 | 52.625 | 519.281 | 62.625 | 637.650 |
| 2.750 | 19.743 | 12.750 | 104.957 | 22.750 | 197.391 | 32.750 | 297.332 | 42.750 | 405.076 | 52.750 | 520.761 | 62.750 | 639.130 |
| 2.875 | 20.760 | 12.875 | 106.067 | 22.875 | 198.593 | 32.875 | 298.630 | 42.875 | 406.473 | 52.875 | 522.240 | 62.875 | 640.609 |
| 3.000 | 21.783 | 13.000 | 107.179 | 23.000 | 199.796 | 33.000 | 299.930 | 43.000 | 407.872 | 53.000 | 523.720 | 63.000 | 642.089 |
| 3.125 | 22.807 | 13.125 | 108.291 | 23.125 | 201.001 | 33.125 | 301.230 | 43.125 | 409.272 | 53.125 | 525.199 | 63.125 | 643.547 |
| 3.250 | 23.832 | 13.250 | 109.405 | 23.250 | 202.207 | 33.250 | 302.532 | 43.250 | 410.673 | 53.250 | 526.679 | 63.250 | 644.961 |
| 3.375 | 24.858 | 13.375 | 110.520 | 23.375 | 203.414 | 33.375 | 303.835 | 43.375 | 412.076 | 53.375 | 528.159 | 63.375 | 646.333 |
| 3.500 | 25.885 | 13.500 | 111.635 | 23.500 | 204.622 | 33.500 | 305.139 | 43.500 | 413.480 | 53.500 | 529.638 | 63.500 | 647.663 |
| 3.625 | 26.914 | 13.625 | 112.753 | 23.625 | 205.832 | 33.625 | 306.444 | 43.625 | 414.885 | 53.625 | 531.118 | 63.625 | 648.962 |
| 3.750 | 27.943 | 13.750 | 113.871 | 23.750 | 207.042 | 33.750 | 307.751 | 43.750 | 416.291 | 53.750 | 532.598 | 63.750 | 650.250 |
| 3.875 | 28.974 | 13.875 | 114.990 | 23.875 | 208.254 | 33.875 | 309.059 | 43.875 | 417.698 | 53.875 | 534.077 | 63.875 | 651.408 |
| 4.000 | 30.006 | 14.000 | 116.111 | 24.000 | 209.467 | 34.000 | 310.368 | 44.000 | 419.107 | 54.000 | 535.557 | 64.000 | 652.577 |
| 4.125 | 31.038 | 14.125 | 117.232 | 24.125 | 210.681 | 34.125 | 311.678 | 44.125 | 420.517 | 54.125 | 537.036 | 64.125 | 653.707 |
| 4.250 | 32.072 | 14.250 | 118.355 | 24.250 | 211.896 | 34.250 | 312.989 | 44.250 | 421.929 | 54.250 | 538.516 | 64.250 | 654.799 |
| 4.375 | 33.107 | 14.375 | 119.479 | 24.375 | 213.112 | 34.375 | 314.302 | 44.375 | 423.341 | 54.375 | 539.996 | 64.375 | 655.854 |
| 4.500 | 34.143 | 14.500 | 120.604 | 24.500 | 214.330 | 34.500 | 315.616 | 44.500 | 424.755 | 54.500 | 541.475 | 64.500 | 656.872 |
| 4.625 | 35.180 | 14.625 | 121.730 | 24.625 | 215.549 | 34.625 | 316.931 | 44.625 | 426.170 | 54.625 | 542.955 | 64.625 | 657.854 |
| 4.750 | 36.218 | 14.750 | 122.857 | 24.750 | 216.769 | 34.750 | 318.248 | 44.750 | 427.587 | 54.750 | 544.434 | 64.750 | 658.800 |
| 4.875 | 37.258 | 14.875 | 123.985 | 24.875 | 217.990 | 34.875 | 319.565 | 44.875 | 429.005 | 54.875 | 545.914 | 64.875 | 659.712 |
| 5.000 | 38.298 | 15.000 | 125.115 | 25.000 | 219.212 | 35.000 | 320.884 | 45.000 | 430.424 | 55.000 | 547.394 | 65.000 | 660.590 |
| 5.125 | 39.340 | 15.125 | 126.246 | 25.125 | 220.436 | 35.125 | 322.204 | 45.125 | 431.844 | 55.125 | 548.873 | 65.125 | 661.434 |
| 5.250 | 40.382 | 15.250 | 127.377 | 25.250 | 221.661 | 35.250 | 323.525 | 45.250 | 433.265 | 55.250 | 550.353 | 65.250 | 662.245 |
| 5.375 | 41.426 | 15.375 | 128.510 | 25.375 | 222.887 | 35.375 | 324.848 | 45.375 | 434.688 | 55.375 | 551.832 | 65.375 | 663.020 |
| 5.500 | 42.471 | 15.500 | 129.645 | 25.500 | 224.114 | 35.500 | 326.172 | 45.500 | 436.112 | 55.500 | 553.312 | 65.500 | 663.772 |
| 5.625 | 43.516 | 15.625 | 130.780 | 25.625 | 225.342 | 35.625 | 327.497 | 45.625 | 437.538 | 55.625 | 554.792 | 65.625 | 664.488 |
| 5.750 | 44.563 | 15.750 | 131.916 | 25.750 | 226.571 | 35.750 | 328.823 | 45.750 | 438.964 | 55.750 | 556.271 | 65.750 | 665.175 |
| 5.875 | 45.611 | 15.875 | 133.054 | 25.875 | 227.802 | 35.875 | 330.150 | 45.875 | 440.392 | 55.875 | 557.751 | 65.875 | 665.832 |
| 6.000 | 46.661 | 16.000 | 134.192 | 26.000 | 229.034 | 36.000 | 331.479 | 46.000 | 441.822 | 56.000 | 559.231 | 66.000 | 666.460 |
| 6.125 | 47.711 | 16.125 | 135.332 | 26.125 | 230.267 | 36.125 | 332.809 | 46.125 | 443.252 | 56.125 | 560.710 | 66.125 | 667.060 |
| 6.250 | 48.762 | 16.250 | 136.473 | 26.250 | 231.501 | 36.250 | 334.140 | 46.250 | 444.684 | 56.250 | 562.190 | 66.250 | 667.632 |
| 6.375 | 49.815 | 16.375 | 137.615 | 26.375 | 232.737 | 36.375 | 335.473 | 46.375 | 446.117 | 56.375 | 563.669 | 66.375 | 668.177 |
| 6.500 | 50.868 | 16.500 | 138.758 | 26.500 | 233.973 | 36.500 | 336.806 | 46.500 | 447.551 | 56.500 | 565.149 | 66.500 | 668.696 |
| 6.625 | 51.923 | 16.625 | 139.903 | 26.625 | 235.211 | 36.625 | 338.141 | 46.625 | 448.987 | 56.625 | 566.629 | 66.625 | 669.189 |
| 6.750 | 52.978 | 16.750 | 141.048 | 26.750 | 236.450 | 36.750 | 339.477 | 46.750 | 450.424 | 56.750 | 568.108 | 66.750 | 669.657 |
| 6.875 | 54.035 | 16.875 | 142.195 | 26.875 | 237.690 | 36.875 | 340.815 | 46.875 | 451.862 | 56.875 | 569.588 | 66.875 | 670.101 |
| 7.000 | 55.093 | 17.000 | 143.343 | 27.000 | 238.931 | 37.000 | 342.153 | 47.000 | 453.301 | 57.000 | 571.067 | 67.000 | 670.521 |
| 7.125 | 56.152 | 17.125 | 144.492 | 27.125 | 240.174 | 37.125 | 343.493 | 47.125 | 454.742 | 57.125 | 572.547 | 67.125 | 670.918 |
| 7.250 | 57.212 | 17.250 | 145.642 | 27.250 | 241.418 | 37.250 | 344.834 | 47.250 | 456.184 | 57.250 | 574.027 | 67.250 | 671.293 |
| 7.375 | 58.274 | 17.375 | 146.793 | 27.375 | 242.663 | 37.375 | 346.176 | 47.375 | 457.628 | 57.375 | 575.506 | 67.375 | 671.646 |
| 7.500 | 59.336 | 17.500 | 147.945 | 27.500 | 243.909 | 37.500 | 347.520 | 47.500 | 459.072 | 57.500 | 576.986 | 67.500 | 671.977 |
| 7.625 | 60.399 | 17.625 | 149.099 | 27.625 | 245.156 | 37.625 | 348.865 | 47.625 | 460.518 | 57.625 | 578.466 | 67.625 | 672.289 |
| 7.750 | 61.464 | 17.750 | 150.254 | 27.750 | 246.405 | 37.750 | 350.211 | 47.750 | 461.965 | 57.750 | 579.945 | 67.750 | 672.580 |
| 7.875 | 62.529 | 17.875 | 151.409 | 27.875 | 247.654 | 37.875 | 351.558 | 47.875 | 463.414 | 57.875 | 581.425 | 67.875 | 672.853 |
| 8.000 | 63.596 | 18.000 | 152.566 | 28.000 | 248.905 | 38.000 | 352.906 | 48.000 | 464.864 | 58.000 | 582.904 | 68.000 | 673.107 |
| 8.125 | 64.664 | 18.125 | 153.725 | 28.125 | 250.157 | 38.125 | 354.256 | 48.125 | 466.315 | 58.125 | 584.384 | 68.125 | 673.351 |
| 8.250 | 65.733 | 18.250 | 154.884 | 28.250 | 251.411 | 38.250 | 355.607 | 48.250 | 467.767 | 58.250 | 585.864 | 68.250 | 673.596 |
| 8.375 | 66.803 | 18.375 | 156.044 | 28.375 | 252.665 | 38.375 | 356.959 | 48.375 | 469.221 | 58.375 | 587.343 | 68.375 | 673.841 |
| 8.500 | 67.874 | 18.500 | 157.204 | 28.500 | 253.921 | 38.500 | 358.313 | 48.500 | 470.676 | 58.500 | 588.823 | 68.500 | 674.086 |
| 8.625 | 68.947 | 18.625 | 158.369 | 28.625 | 255.178 | 38.625 | 359.668 | 48.625 | 472.132 | 58.625 | 590.302 | 68.625 | 674.331 |
| 8.750 | 70.020 | 18.750 | 159.533 | 28.750 | 256.436 | 38.750 | 361.024 | 48.750 | 473.589 | 58.750 | 591.782 | 68.750 | 674.576 |
| 8.875 | 71.094 | 18.875 | 160.698 | 28.875 | 257.695 | 38.875 | 362.381 | 48.875 | 475.048 | 58.875 | 593.262 | 68.875 | 674.820 |
| 9.000 | 72.170 | 19.000 | 161.864 | 29.000 | 258.956 | 39.000 | 363.739 | 49.000 | 476.508 | 59.000 | 594.741 | 69.000 | 675.065 |
| 9.125 | 73.247 | 19.125 | 163.031 | 29.125 | 260.217 | 39.125 | 365.099 | 49.125 | 477.970 | 59.125 | 596.221 | 69.125 | |
| 9.250 | 74. | | | | | | | | | | | | |

600 P/T Tank

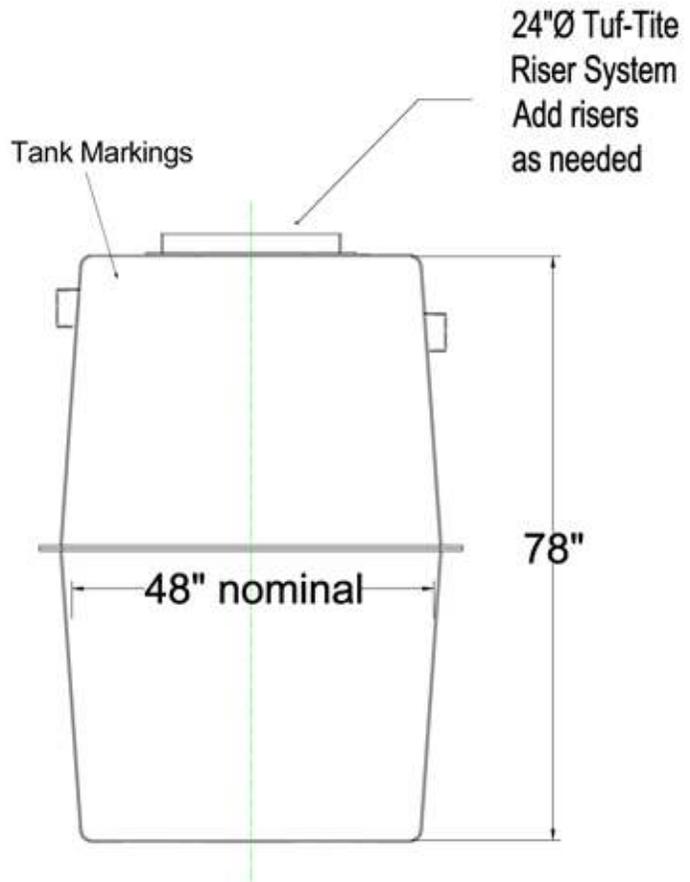
| | |
|---|----------------------------|
| MATERIALS | Glass-Reinforced Polyester |
| TOTAL CAPACITY | 604.6 Gal. |
| LENGTH | 56.5" |
| WIDTH | 56.5" |
| HEIGHT | 78" |
| MANWAY | 24" |
| INLET INVERT | 68" |
| OUTLET INVERT | 66" |
| COMPARTMENTS | ONE |
| MAXIMUM BURIAL DEPTH | 24 INCHES |
| MAXIMUM PIPE DIAMETER | 4" |
| JOINT SEALANT | Conseal CS-102 or equal |
| WEIGHT | 138 LBS. |
| DISPLACED WEIGHT (assuming saturated conditions) | 5038.7 LBS. |
| BUOYANCY FORCE | 4900.7 LBS. |

General Notes

- The inlet and out holes are not drilled in the tank to give the installer flexibility in the field.
- Use a 5" hole saw to drill inlet and outlet holes when utilizing 4" Jones Seal Gaskets
- If using this Tank as a Septic/Trash tank it comes with 2-Sanitary Tees, and 2- 4" Jones Seal Gaskets for the inlet and outlet pipes
- If using this tank as a Pump tank it comes with a junction box for electrical connections, and 2- 4" Jones Seals for the inlet and outlet pipes
- If installing the tank in saturated soil conditions, or a seasonal highwater area you may need to utilize up-lift restraints. See installation manual for guidance.



TOP VIEW



SIDE VIEW

Trash/Pump Tank

TITLE:

600 P/T

CONSOLIDATED

TREATMENT SYSTEMS

1501 Commerce Center Drive
Franklin, Ohio 45005
937-746-2727

600 P/T Volume Table

(Liquid Depth in inches)

600 Gallon Tank

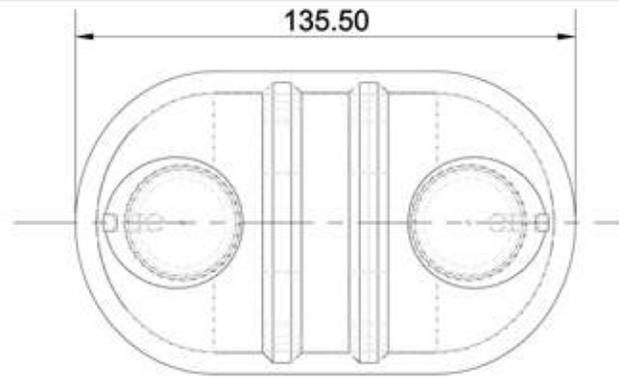
| (in) | (gal) | (in) | (gal) | (in) | (gal) | (in) | (gal) | (in) | (gal) | (in) | (gal) | (in) | (gal) | (in) | (gal) |
|-------|-------|--------|-------|--------|-------|--------|-------|--------|-------|--------|-------|--------|-------|--------|-------|
| 0.000 | 0.0 | 10.000 | 71.0 | 20.000 | 146.4 | 30.000 | 226.4 | 40.000 | 310.9 | 50.000 | 394.5 | 60.000 | 473.6 | 70.000 | 548.1 |
| 0.125 | 0.9 | 10.125 | 71.9 | 20.125 | 147.4 | 30.125 | 227.4 | 40.125 | 312.0 | 50.125 | 395.6 | 60.125 | 474.5 | 70.125 | 549.0 |
| 0.250 | 1.7 | 10.250 | 72.8 | 20.250 | 148.4 | 30.250 | 228.4 | 40.250 | 313.1 | 50.250 | 396.6 | 60.250 | 475.5 | 70.250 | 549.9 |
| 0.375 | 2.6 | 10.375 | 73.8 | 20.375 | 149.4 | 30.375 | 229.5 | 40.375 | 314.1 | 50.375 | 397.6 | 60.375 | 476.5 | 70.375 | 550.8 |
| 0.500 | 3.4 | 10.500 | 74.7 | 20.500 | 150.3 | 30.500 | 230.5 | 40.500 | 315.2 | 50.500 | 398.6 | 60.500 | 477.4 | 70.500 | 551.7 |
| 0.625 | 4.3 | 10.625 | 75.6 | 20.625 | 151.3 | 30.625 | 231.5 | 40.625 | 316.3 | 50.625 | 399.6 | 60.625 | 478.4 | 70.625 | 552.6 |
| 0.750 | 5.2 | 10.750 | 76.5 | 20.750 | 152.3 | 30.750 | 232.6 | 40.750 | 317.3 | 50.750 | 400.6 | 60.750 | 479.3 | 70.750 | 553.5 |
| 0.875 | 6.0 | 10.875 | 77.4 | 20.875 | 153.3 | 30.875 | 233.6 | 40.875 | 318.4 | 50.875 | 401.6 | 60.875 | 480.3 | 70.875 | 554.4 |
| 1.000 | 6.9 | 11.000 | 78.4 | 21.000 | 154.2 | 31.000 | 234.6 | 41.000 | 319.5 | 51.000 | 402.7 | 61.000 | 481.2 | 71.000 | 555.3 |
| 1.125 | 7.8 | 11.125 | 79.3 | 21.125 | 155.2 | 31.125 | 235.7 | 41.125 | 320.6 | 51.125 | 403.7 | 61.125 | 482.2 | 71.125 | 556.2 |
| 1.250 | 8.6 | 11.250 | 80.2 | 21.250 | 156.2 | 31.250 | 236.7 | 41.250 | 321.6 | 51.250 | 404.7 | 61.250 | 483.1 | 71.250 | 557.1 |
| 1.375 | 9.5 | 11.375 | 81.1 | 21.375 | 157.2 | 31.375 | 237.7 | 41.375 | 322.7 | 51.375 | 405.7 | 61.375 | 484.1 | 71.375 | 558.0 |
| 1.500 | 10.4 | 11.500 | 82.0 | 21.500 | 158.1 | 31.500 | 238.8 | 41.500 | 323.8 | 51.500 | 406.7 | 61.500 | 485.0 | 71.500 | 558.9 |
| 1.625 | 11.2 | 11.625 | 83.0 | 21.625 | 159.1 | 31.625 | 239.8 | 41.625 | 324.8 | 51.625 | 407.7 | 61.625 | 486.0 | 71.625 | 559.8 |
| 1.750 | 12.1 | 11.750 | 83.9 | 21.750 | 160.1 | 31.750 | 240.9 | 41.750 | 325.9 | 51.750 | 408.7 | 61.750 | 486.9 | 71.750 | 560.7 |
| 1.875 | 13.0 | 11.875 | 84.8 | 21.875 | 161.1 | 31.875 | 241.9 | 41.875 | 326.9 | 51.875 | 409.7 | 61.875 | 487.9 | 71.875 | 561.6 |
| 2.000 | 13.9 | 12.000 | 85.7 | 22.000 | 162.1 | 32.000 | 242.9 | 42.000 | 328.0 | 52.000 | 410.7 | 62.000 | 488.8 | 72.000 | 562.5 |
| 2.125 | 14.7 | 12.125 | 86.7 | 22.125 | 163.1 | 32.125 | 244.0 | 42.125 | 329.1 | 52.125 | 411.7 | 62.125 | 489.8 | 72.125 | 563.4 |
| 2.250 | 15.6 | 12.250 | 87.6 | 22.250 | 164.0 | 32.250 | 245.0 | 42.250 | 330.1 | 52.250 | 412.7 | 62.250 | 490.7 | 72.250 | 564.3 |
| 2.375 | 16.5 | 12.375 | 88.5 | 22.375 | 165.0 | 32.375 | 246.1 | 42.375 | 331.2 | 52.375 | 413.7 | 62.375 | 491.7 | 72.375 | 565.2 |
| 2.500 | 17.3 | 12.500 | 89.5 | 22.500 | 166.0 | 32.500 | 247.1 | 42.500 | 332.3 | 52.500 | 414.7 | 62.500 | 492.6 | 72.500 | 566.1 |
| 2.625 | 18.2 | 12.625 | 90.4 | 22.625 | 167.0 | 32.625 | 248.1 | 42.625 | 333.3 | 52.625 | 415.7 | 62.625 | 493.6 | 72.625 | 567.0 |
| 2.750 | 19.1 | 12.750 | 91.3 | 22.750 | 168.0 | 32.750 | 249.2 | 42.750 | 334.4 | 52.750 | 416.7 | 62.750 | 494.5 | 72.750 | 567.9 |
| 2.875 | 20.0 | 12.875 | 92.2 | 22.875 | 169.0 | 32.875 | 250.2 | 42.875 | 335.4 | 52.875 | 417.7 | 62.875 | 495.5 | 72.875 | 568.8 |
| 3.000 | 20.8 | 13.000 | 93.2 | 23.000 | 169.9 | 33.000 | 251.3 | 43.000 | 336.5 | 53.000 | 418.7 | 63.000 | 496.4 | 73.000 | 569.6 |
| 3.125 | 21.7 | 13.125 | 94.1 | 23.125 | 170.9 | 33.125 | 252.3 | 43.125 | 337.5 | 53.125 | 419.7 | 63.125 | 497.4 | 73.125 | 570.5 |
| 3.250 | 22.6 | 13.250 | 95.0 | 23.250 | 171.9 | 33.250 | 253.4 | 43.250 | 338.6 | 53.250 | 420.7 | 63.250 | 498.3 | 73.250 | 571.4 |
| 3.375 | 23.5 | 13.375 | 96.0 | 23.375 | 172.9 | 33.375 | 254.4 | 43.375 | 339.7 | 53.375 | 421.7 | 63.375 | 499.2 | 73.375 | 572.3 |
| 3.500 | 24.4 | 13.500 | 96.9 | 23.500 | 173.9 | 33.500 | 255.5 | 43.500 | 340.7 | 53.500 | 422.7 | 63.500 | 500.2 | 73.500 | 573.2 |
| 3.625 | 25.2 | 13.625 | 97.8 | 23.625 | 174.9 | 33.625 | 256.5 | 43.625 | 341.8 | 53.625 | 423.7 | 63.625 | 501.1 | 73.625 | 574.1 |
| 3.750 | 26.1 | 13.750 | 98.8 | 23.750 | 175.9 | 33.750 | 257.6 | 43.750 | 342.8 | 53.750 | 424.7 | 63.750 | 502.1 | 73.750 | 574.9 |
| 3.875 | 27.0 | 13.875 | 99.7 | 23.875 | 176.9 | 33.875 | 258.6 | 43.875 | 343.9 | 53.875 | 425.7 | 63.875 | 503.0 | 73.875 | 575.8 |
| 4.000 | 27.9 | 14.000 | 100.7 | 24.000 | 177.9 | 34.000 | 259.7 | 44.000 | 344.9 | 54.000 | 426.7 | 64.000 | 503.9 | 74.000 | 576.7 |
| 4.125 | 28.8 | 14.125 | 101.6 | 24.125 | 178.9 | 34.125 | 260.7 | 44.125 | 346.0 | 54.125 | 427.7 | 64.125 | 504.9 | 74.125 | 577.6 |
| 4.250 | 29.6 | 14.250 | 102.5 | 24.250 | 179.9 | 34.250 | 261.8 | 44.250 | 347.0 | 54.250 | 428.7 | 64.250 | 505.8 | 74.250 | 578.5 |
| 4.375 | 30.5 | 14.375 | 103.5 | 24.375 | 180.9 | 34.375 | 262.8 | 44.375 | 348.1 | 54.375 | 429.7 | 64.375 | 506.7 | 74.375 | 579.3 |
| 4.500 | 31.4 | 14.500 | 104.4 | 24.500 | 181.9 | 34.500 | 263.9 | 44.500 | 349.1 | 54.500 | 430.7 | 64.500 | 507.7 | 74.500 | 580.2 |
| 4.625 | 32.3 | 14.625 | 105.3 | 24.625 | 182.9 | 34.625 | 264.9 | 44.625 | 350.2 | 54.625 | 431.7 | 64.625 | 508.6 | 74.625 | 581.1 |
| 4.750 | 33.2 | 14.750 | 106.3 | 24.750 | 183.9 | 34.750 | 266.0 | 44.750 | 351.2 | 54.750 | 432.7 | 64.750 | 509.5 | 74.750 | 582.0 |
| 4.875 | 34.1 | 14.875 | 107.2 | 24.875 | 184.8 | 34.875 | 267.0 | 44.875 | 352.3 | 54.875 | 433.6 | 64.875 | 510.5 | 74.875 | 582.9 |
| 5.000 | 35.0 | 15.000 | 108.2 | 25.000 | 185.8 | 35.000 | 268.1 | 45.000 | 353.3 | 55.000 | 434.6 | 65.000 | 511.4 | 75.000 | 583.7 |
| 5.125 | 35.8 | 15.125 | 109.1 | 25.125 | 186.8 | 35.125 | 269.1 | 45.125 | 354.4 | 55.125 | 435.6 | 65.125 | 512.3 | 75.125 | 584.6 |
| 5.250 | 36.7 | 15.250 | 110.1 | 25.250 | 187.8 | 35.250 | 270.2 | 45.250 | 355.4 | 55.250 | 436.6 | 65.250 | 513.3 | 75.250 | 585.5 |
| 5.375 | 37.6 | 15.375 | 111.0 | 25.375 | 188.8 | 35.375 | 271.3 | 45.375 | 356.4 | 55.375 | 437.6 | 65.375 | 514.2 | 75.375 | 586.4 |
| 5.500 | 38.5 | 15.500 | 111.9 | 25.500 | 189.9 | 35.500 | 272.3 | 45.500 | 357.5 | 55.500 | 438.6 | 65.500 | 515.1 | 75.500 | 587.2 |
| 5.625 | 39.4 | 15.625 | 112.9 | 25.625 | 190.9 | 35.625 | 273.4 | 45.625 | 358.5 | 55.625 | 439.6 | 65.625 | 516.1 | 75.625 | 588.1 |
| 5.750 | 40.3 | 15.750 | 113.8 | 25.750 | 191.9 | 35.750 | 274.4 | 45.750 | 359.6 | 55.750 | 440.5 | 65.750 | 517.0 | 75.750 | 589.0 |
| 5.875 | 41.2 | 15.875 | 114.8 | 25.875 | 192.9 | 35.875 | 275.5 | 45.875 | 360.6 | 55.875 | 441.5 | 65.875 | 517.9 | 75.875 | 589.9 |
| 6.000 | 42.1 | 16.000 | 115.7 | 26.000 | 193.9 | 36.000 | 276.6 | 46.000 | 361.7 | 56.000 | 442.5 | 66.000 | 518.8 | 76.000 | 590.7 |
| 6.125 | 43.0 | 16.125 | 116.7 | 26.125 | 194.9 | 36.125 | 277.6 | 46.125 | 362.7 | 56.125 | 443.5 | 66.125 | 519.8 | 76.125 | 591.6 |
| 6.250 | 43.9 | 16.250 | 117.6 | 26.250 | 195.9 | 36.250 | 278.7 | 46.250 | 363.7 | 56.250 | 444.5 | 66.250 | 520.7 | 76.250 | 592.5 |
| 6.375 | 44.8 | 16.375 | 118.6 | 26.375 | 196.9 | 36.375 | 279.8 | 46.375 | 364.8 | 56.375 | 445.5 | 66.375 | 521.6 | 76.375 | 593.3 |
| 6.500 | 45.7 | 16.500 | 119.5 | 26.500 | 197.9 | 36.500 | 280.8 | 46.500 | 365.8 | 56.500 | 446.4 | 66.500 | 522.5 | 76.500 | 594.2 |
| 6.625 | 46.6 | 16.625 | 120.5 | 26.625 | 198.9 | 36.625 | 281.9 | 46.625 | 366.8 | 56.625 | 447.4 | 66.625 | 523.5 | 76.625 | 595.1 |
| 6.750 | 47.5 | 16.750 | 121.4 | 26.750 | 199.9 | 36.750 | 283.0 | 46.750 | 367.9 | 56.750 | 448.4 | 66.750 | 524.4 | 76.750 | 595.9 |
| 6.875 | 48.4 | 16.875 | 122.4 | 26.875 | 200.9 | 36.875 | 284.0 | 46.875 | 368.9 | 56.875 | 449.4 | 66.875 | 525.3 | 76.875 | 596.8 |
| 7.000 | 49.3 | 17.000 | 123.3 | 27.000 | 201.9 | 37.000 | 285.1 | 47.000 | 369.9 | 57.000 | 450.3 | 67.000 | 526.2 | 77.000 | 597.7 |
| 7.125 | 50.1 | 17.125 | 124.3 | 27.125 | 202.9 | 37.125 | 286.2 | 47.125 | 371.0 | 57.125 | 451.3 | 67.125 | 527.1 | 77.125 | 598.5 |
| 7.250 | 51.0 | 17.250 | 125.3 | 27.250 | 204.0 | 37.250 | 287.2 | 47.250 | 372.0 | 57.250 | 452.3 | 67.250 | 528.1 | 77.250 | 599.4 |
| 7.375 | 51.9 | 17.375 | 126.2 | 27.375 | 205.0 | 37.375 | 288.3 | 47.375 | 373.0 | 57.375 | 453.3 | 67.375 | 529.0 | 77.375 | 600.3 |
| 7.500 | 52.9 | 17.500 | 127.2 | 27.500 | 206.0 | 37.500 | 289.4 | 47.500 | 374.1 | 57.500 | 454.2 | 67.500 | 529.9 | 77.500 | 601.1 |
| 7.625 | 53.8 | 17.625 | 128.1 | 27.625 | 207.0 | 37.625 | 290.5 | 47.625 | 375.1 | 57.625 | 455.2 | 67.625 | 530.8 | 77.625 | 602.0 |
| 7.750 | 54.7 | 17.750 | 129.1 | 27.750 | 208.0 | 37.750 | 291.5 | 47.750 | 376.1 | 57.750 | 456.2 | 67.750 | 531.7 | 77.750 | 602.9 |
| 7.875 | 55.6 | 17.875 | 130.0 | 27.875 | 209.0 | 37.875 | 292.6 | 47.875 | 377.2 | 57.875 | 457.2 | 67.875 | 532.7 | 77.875 | 603.7 |
| 8.000 | 56.5 | 18.000 | 131.0 | 28.000 | 210.0 | 38.000 | 293.7 | 48.000 | 378.2 | 58.000 | 458.1 | 68.000 | 533.6 | 78.000 | 604.6 |
| 8.125 | 57.4 | 18.125 | 132.0 | 28.125 | 211.1 | 38.125 | 294.7 | 48.125 | 379.2 | 58.125 | 459.1 | 68.125 | 534.5 | | |
| 8.250 | 58.3 | 18.250 | 132.9 | 28.250 | 212.1 | 38.250 | 295.8 | 48.250 | 380.2 | 58.250 | 460.1 | 68.250 | 535.4 | | |
| 8.375 | 59.2 | 18.375 | 133.9 | 28.375 | 213.1 | 38.375 | 296.9 | 48.375 | 381.3 | 58.375 | 461.0 | 68.375 | 536.3 | | |
| 8.500 | 60.1 | 18.500 | 134.8 | 28.500 | 214.1 | 38.500 | 298.0 | 48.500 | 382.3 | 58.500 | 462.0 | 68.500 | 537.2 | | |
| 8.625 | 61.0 | 18.625 | 135.8 | 28.625 | 215.1 | 38.625 | 299.1 | 48.625 | 383.3 | 58.625 | 463.0 | 68.625 | 538.1 | | |
| 8.750 | 61.9 | 18.750 | 136.8 | 28.750 | 216.1 | 38.750 | 300.1 | 48.750 | 384.3 | 58.750 | 464.0 | 68.750 | 539.0 | | |
| 8.875 | 62.8 | 18.875 | 137.7 | 28.875 | 217.2 | 38.875 | 301.2 | 48. | | | | | | | |

S-A 1500-GALLON FIBERGLASS TANK

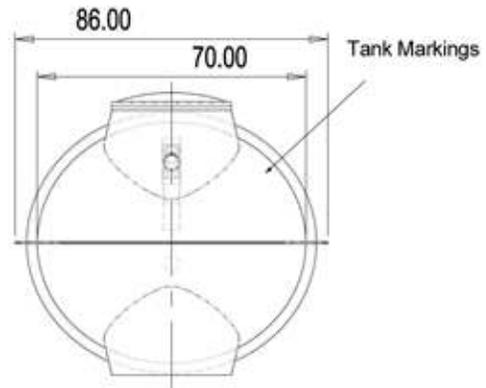
| | |
|---|----------------------------|
| MATERIALS | Glass-Reinforced Polyester |
| TOTAL CAPACITY | 1,797 GAL |
| LENGTH | 135.5 INCHES |
| WIDTH | 86 INCHES |
| HEIGHT | 69 INCHES |
| MANWAYS | 24" |
| INLET INVERT | 65 INCHES |
| OUTLET INVERT | 62 INCHES |
| COMPARTMENTS | ONE |
| MAXIMUM BURIAL DEPTH | 24 INCHES |
| MAXIMUM PIPE DIAMETER | 4" |
| JOINT SEALANT | Conseal CS-102 or equal |
| WEIGHT | 815 LBS |
| DISPLACED WEIGHT (assuming saturated conditions) | 14989.3 LBS. |
| BUOYANCY FORCE | 14459.3 LBS. |

General Notes

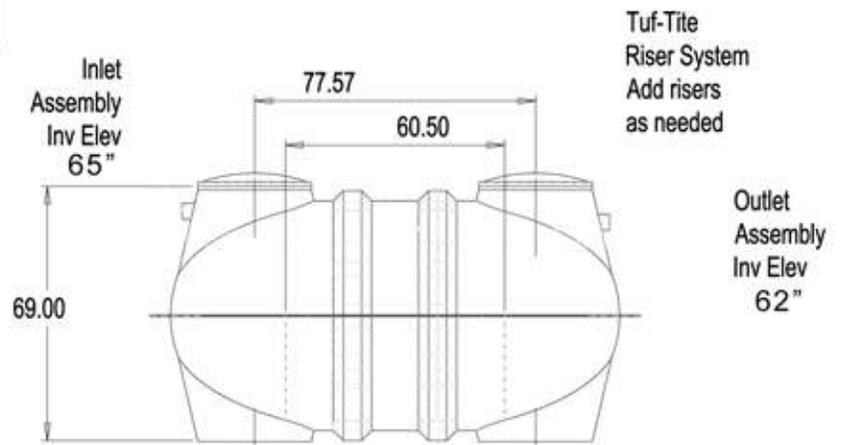
- The inlet and out holes are not drilled in the tank to give the installer flexibility in the field.
- Use a 5" hole saw to drill inlet and outlet holes when utilizing 4" Jones Seal Gaskets
- If using this Tank as a Septic/Trash tank it comes with 2-Sanitary Tees, and 2- 4" Jones Seal Gaskets for the inlet and outlet pipes
- If using this tank as a Pump tank it comes with a junction box for electrical connections, and 2-4" Jones Seals for the inlet and outlet pipes.
- If installing the tank in saturated soil conditions, or a seasonal highwater area you may need to utilize up-lift restraints. See installation manual for guidance.



TOP VIEW



END VIEW



SIDE VIEW

Septic/Trash/Pump Tank

TITLE:

1500 S-A

CONSOLIDATED

TREATMENT SYSTEMS

1501 Commerce Center Drive
Franklin, Ohio 45005

937-746-2727

1500SA Volume Table

1500 Gallon Tank

(Liquid Depth in inches)

| | | | | | | | | | | | | | |
|-------|-------|--------|-------|--------|-------|--------|--------|--------|--------|--------|--------|--------|--------|
| 0.000 | 0.0 | 10.000 | 139.1 | 20.000 | 403.5 | 30.000 | 737.9 | 40.000 | 1094.1 | 50.000 | 1423.6 | 60.000 | 1678.5 |
| 0.125 | 0.8 | 10.125 | 141.8 | 20.125 | 407.3 | 30.125 | 742.3 | 40.125 | 1098.5 | 50.125 | 1427.4 | 60.125 | 1681.0 |
| 0.250 | 1.6 | 10.250 | 144.5 | 20.250 | 411.2 | 30.250 | 746.7 | 40.250 | 1102.9 | 50.250 | 1431.1 | 60.250 | 1683.5 |
| 0.375 | 2.4 | 10.375 | 147.2 | 20.375 | 415.1 | 30.375 | 751.1 | 40.375 | 1107.3 | 50.375 | 1434.8 | 60.375 | 1685.9 |
| 0.500 | 3.1 | 10.500 | 149.9 | 20.500 | 418.9 | 30.500 | 755.6 | 40.500 | 1111.7 | 50.500 | 1438.5 | 60.500 | 1688.4 |
| 0.625 | 4.0 | 10.625 | 152.7 | 20.625 | 422.8 | 30.625 | 759.9 | 40.625 | 1116.0 | 50.625 | 1442.2 | 60.625 | 1690.8 |
| 0.750 | 4.9 | 10.750 | 155.5 | 20.750 | 426.7 | 30.750 | 764.2 | 40.750 | 1120.4 | 50.750 | 1445.9 | 60.750 | 1693.2 |
| 0.875 | 5.7 | 10.875 | 158.3 | 20.875 | 430.6 | 30.875 | 768.5 | 40.875 | 1124.7 | 50.875 | 1449.5 | 60.875 | 1695.6 |
| 1.000 | 6.6 | 11.000 | 161.0 | 21.000 | 434.5 | 31.000 | 772.8 | 41.000 | 1129.1 | 51.000 | 1453.2 | 61.000 | 1698.1 |
| 1.125 | 7.5 | 11.125 | 163.9 | 21.125 | 438.5 | 31.125 | 777.3 | 41.125 | 1133.5 | 51.125 | 1456.9 | 61.125 | 1700.4 |
| 1.250 | 8.4 | 11.250 | 166.8 | 21.250 | 442.4 | 31.250 | 781.8 | 41.250 | 1137.8 | 51.250 | 1460.5 | 61.250 | 1702.7 |
| 1.375 | 9.4 | 11.375 | 169.6 | 21.375 | 446.4 | 31.375 | 786.2 | 41.375 | 1142.1 | 51.375 | 1464.1 | 61.375 | 1705.0 |
| 1.500 | 10.3 | 11.500 | 172.5 | 21.500 | 450.3 | 31.500 | 790.7 | 41.500 | 1146.5 | 51.500 | 1467.7 | 61.500 | 1707.3 |
| 1.625 | 11.3 | 11.625 | 175.4 | 21.625 | 454.3 | 31.625 | 795.2 | 41.625 | 1150.8 | 51.625 | 1471.3 | 61.625 | 1709.6 |
| 1.750 | 12.3 | 11.750 | 178.3 | 21.750 | 458.3 | 31.750 | 799.6 | 41.750 | 1155.1 | 51.750 | 1474.9 | 61.750 | 1711.8 |
| 1.875 | 13.3 | 11.875 | 181.2 | 21.875 | 462.3 | 31.875 | 804.1 | 41.875 | 1159.4 | 51.875 | 1478.5 | 61.875 | 1714.1 |
| 2.000 | 14.3 | 12.000 | 184.1 | 22.000 | 466.2 | 32.000 | 808.6 | 42.000 | 1163.8 | 52.000 | 1482.0 | 62.000 | 1716.3 |
| 2.125 | 15.4 | 12.125 | 187.1 | 22.125 | 470.3 | 32.125 | 813.1 | 42.125 | 1168.1 | 52.125 | 1485.6 | 62.125 | 1718.5 |
| 2.250 | 16.4 | 12.250 | 190.1 | 22.250 | 474.3 | 32.250 | 817.6 | 42.250 | 1172.4 | 52.250 | 1489.1 | 62.250 | 1720.6 |
| 2.375 | 17.5 | 12.375 | 193.1 | 22.375 | 478.3 | 32.375 | 822.0 | 42.375 | 1176.7 | 52.375 | 1492.6 | 62.375 | 1722.8 |
| 2.500 | 18.6 | 12.500 | 196.1 | 22.500 | 482.3 | 32.500 | 826.5 | 42.500 | 1181.0 | 52.500 | 1496.1 | 62.500 | 1724.9 |
| 2.625 | 19.7 | 12.625 | 199.2 | 22.625 | 486.4 | 32.625 | 831.0 | 42.625 | 1185.2 | 52.625 | 1499.6 | 62.625 | 1727.0 |
| 2.750 | 20.8 | 12.750 | 202.2 | 22.750 | 490.4 | 32.750 | 835.5 | 42.750 | 1189.5 | 52.750 | 1503.1 | 62.750 | 1729.0 |
| 2.875 | 22.0 | 12.875 | 205.3 | 22.875 | 494.5 | 32.875 | 840.0 | 42.875 | 1193.8 | 52.875 | 1506.5 | 62.875 | 1731.1 |
| 3.000 | 23.1 | 13.000 | 208.3 | 23.000 | 498.6 | 33.000 | 844.5 | 43.000 | 1198.1 | 53.000 | 1510.0 | 63.000 | 1733.2 |
| 3.125 | 24.5 | 13.125 | 211.4 | 23.125 | 502.7 | 33.125 | 849.0 | 43.125 | 1202.3 | 53.125 | 1513.4 | 63.125 | 1735.1 |
| 3.250 | 25.8 | 13.250 | 214.6 | 23.250 | 506.7 | 33.250 | 853.5 | 43.250 | 1206.5 | 53.250 | 1516.8 | 63.250 | 1737.1 |
| 3.375 | 27.2 | 13.375 | 217.7 | 23.375 | 510.8 | 33.375 | 858.0 | 43.375 | 1210.8 | 53.375 | 1520.2 | 63.375 | 1739.1 |
| 3.500 | 28.5 | 13.500 | 220.8 | 23.500 | 514.9 | 33.500 | 862.5 | 43.500 | 1215.0 | 53.500 | 1523.7 | 63.500 | 1741.0 |
| 3.625 | 30.0 | 13.625 | 224.0 | 23.625 | 519.1 | 33.625 | 867.0 | 43.625 | 1219.3 | 53.625 | 1527.0 | 63.625 | 1742.9 |
| 3.750 | 31.5 | 13.750 | 227.1 | 23.750 | 523.2 | 33.750 | 871.5 | 43.750 | 1223.5 | 53.750 | 1530.4 | 63.750 | 1744.8 |
| 3.875 | 33.1 | 13.875 | 230.3 | 23.875 | 527.3 | 33.875 | 876.0 | 43.875 | 1227.7 | 53.875 | 1533.7 | 63.875 | 1746.6 |
| 4.000 | 34.6 | 14.000 | 233.5 | 24.000 | 531.4 | 34.000 | 880.5 | 44.000 | 1231.9 | 54.000 | 1537.1 | 64.000 | 1748.5 |
| 4.125 | 36.2 | 14.125 | 236.7 | 24.125 | 535.6 | 34.125 | 884.9 | 44.125 | 1236.1 | 54.125 | 1540.4 | 64.125 | 1750.3 |
| 4.250 | 37.9 | 14.250 | 240.0 | 24.250 | 539.8 | 34.250 | 889.4 | 44.250 | 1240.3 | 54.250 | 1543.7 | 64.250 | 1752.0 |
| 4.375 | 39.5 | 14.375 | 243.2 | 24.375 | 543.9 | 34.375 | 893.9 | 44.375 | 1244.5 | 54.375 | 1547.0 | 64.375 | 1753.8 |
| 4.500 | 41.2 | 14.500 | 246.5 | 24.500 | 548.1 | 34.500 | 898.4 | 44.500 | 1248.7 | 54.500 | 1550.3 | 64.500 | 1755.6 |
| 4.625 | 42.9 | 14.625 | 249.8 | 24.625 | 552.3 | 34.625 | 902.9 | 44.625 | 1252.8 | 54.625 | 1553.5 | 64.625 | 1757.2 |
| 4.750 | 44.7 | 14.750 | 253.1 | 24.750 | 556.5 | 34.750 | 907.3 | 44.750 | 1257.0 | 54.750 | 1556.8 | 64.750 | 1758.9 |
| 4.875 | 46.5 | 14.875 | 256.4 | 24.875 | 560.7 | 34.875 | 911.8 | 44.875 | 1261.2 | 54.875 | 1560.0 | 64.875 | 1760.5 |
| 5.000 | 48.2 | 15.000 | 259.7 | 25.000 | 564.8 | 35.000 | 916.3 | 45.000 | 1265.3 | 55.000 | 1563.3 | 65.000 | 1762.2 |
| 5.125 | 50.1 | 15.125 | 263.0 | 25.125 | 569.1 | 35.125 | 920.8 | 45.125 | 1269.5 | 55.125 | 1566.4 | 65.125 | 1763.7 |
| 5.250 | 52.0 | 15.250 | 266.4 | 25.250 | 573.3 | 35.250 | 925.3 | 45.250 | 1273.6 | 55.250 | 1569.6 | 65.250 | 1765.2 |
| 5.375 | 53.9 | 15.375 | 269.7 | 25.375 | 577.5 | 35.375 | 929.8 | 45.375 | 1277.7 | 55.375 | 1572.8 | 65.375 | 1766.7 |
| 5.500 | 55.7 | 15.500 | 273.1 | 25.500 | 581.7 | 35.500 | 934.3 | 45.500 | 1281.8 | 55.500 | 1576.0 | 65.500 | 1768.3 |
| 5.625 | 57.7 | 15.625 | 276.5 | 25.625 | 586.0 | 35.625 | 938.8 | 45.625 | 1285.9 | 55.625 | 1579.1 | 65.625 | 1769.8 |
| 5.750 | 59.7 | 15.750 | 279.9 | 25.750 | 590.2 | 35.750 | 943.3 | 45.750 | 1290.0 | 55.750 | 1582.2 | 65.750 | 1771.0 |
| 5.875 | 61.6 | 15.875 | 283.3 | 25.875 | 594.5 | 35.875 | 947.8 | 45.875 | 1294.1 | 55.875 | 1585.3 | 65.875 | 1772.3 |
| 6.000 | 63.6 | 16.000 | 286.8 | 26.000 | 598.7 | 36.000 | 952.3 | 46.000 | 1298.2 | 56.000 | 1588.4 | 66.000 | 1773.6 |
| 6.125 | 65.7 | 16.125 | 290.2 | 26.125 | 603.0 | 36.125 | 956.8 | 46.125 | 1302.3 | 56.125 | 1591.5 | 66.125 | 1774.8 |
| 6.250 | 67.7 | 16.250 | 293.7 | 26.250 | 607.3 | 36.250 | 961.3 | 46.250 | 1306.3 | 56.250 | 1594.6 | 66.250 | 1775.9 |
| 6.375 | 69.8 | 16.375 | 297.2 | 26.375 | 611.5 | 36.375 | 965.7 | 46.375 | 1310.4 | 56.375 | 1597.6 | 66.375 | 1777.1 |
| 6.500 | 71.9 | 16.500 | 300.6 | 26.500 | 615.8 | 36.500 | 970.2 | 46.500 | 1314.4 | 56.500 | 1600.7 | 66.500 | 1778.2 |
| 6.625 | 74.0 | 16.625 | 304.2 | 26.625 | 620.1 | 36.625 | 974.7 | 46.625 | 1318.5 | 56.625 | 1603.7 | 66.625 | 1779.3 |
| 6.750 | 76.2 | 16.750 | 307.7 | 26.750 | 624.4 | 36.750 | 979.2 | 46.750 | 1322.5 | 56.750 | 1606.6 | 66.750 | 1780.3 |
| 6.875 | 78.3 | 16.875 | 311.2 | 26.875 | 628.7 | 36.875 | 983.7 | 46.875 | 1326.5 | 56.875 | 1609.6 | 66.875 | 1781.4 |
| 7.000 | 80.5 | 17.000 | 314.7 | 27.000 | 633.0 | 37.000 | 988.2 | 47.000 | 1330.5 | 57.000 | 1612.6 | 67.000 | 1782.5 |
| 7.125 | 82.7 | 17.125 | 318.3 | 27.125 | 637.3 | 37.125 | 992.7 | 47.125 | 1334.5 | 57.125 | 1615.5 | 67.125 | 1783.5 |
| 7.250 | 84.9 | 17.250 | 321.9 | 27.250 | 641.6 | 37.250 | 997.1 | 47.250 | 1338.5 | 57.250 | 1618.5 | 67.250 | 1784.5 |
| 7.375 | 87.2 | 17.375 | 325.5 | 27.375 | 646.0 | 37.375 | 1001.6 | 47.375 | 1342.5 | 57.375 | 1621.4 | 67.375 | 1785.5 |
| 7.500 | 89.4 | 17.500 | 329.0 | 27.500 | 650.3 | 37.500 | 1006.1 | 47.500 | 1346.5 | 57.500 | 1624.3 | 67.500 | 1786.5 |
| 7.625 | 91.7 | 17.625 | 332.7 | 27.625 | 654.6 | 37.625 | 1010.5 | 47.625 | 1350.4 | 57.625 | 1627.2 | 67.625 | 1787.4 |
| 7.750 | 94.1 | 17.750 | 336.3 | 27.750 | 659.0 | 37.750 | 1015.0 | 47.750 | 1354.3 | 57.750 | 1630.0 | 67.750 | 1788.3 |
| 7.875 | 96.4 | 17.875 | 339.9 | 27.875 | 663.3 | 37.875 | 1019.5 | 47.875 | 1358.3 | 57.875 | 1632.9 | 67.875 | 1789.2 |
| 8.000 | 98.7 | 18.000 | 343.5 | 28.000 | 667.7 | 38.000 | 1023.9 | 48.000 | 1362.2 | 58.000 | 1635.7 | 68.000 | 1790.2 |
| 8.125 | 101.1 | 18.125 | 347.2 | 28.125 | 672.0 | 38.125 | 1028.2 | 48.125 | 1366.1 | 58.125 | 1638.5 | 68.125 | 1791.0 |
| 8.250 | 103.5 | 18.250 | 350.9 | 28.250 | 676.4 | 38.250 | 1032.6 | 48.250 | 1370.0 | 58.250 | 1641.3 | 68.250 | 1791.9 |
| 8.375 | 105.9 | 18.375 | 354.6 | 28.375 | 680.7 | 38.375 | 1036.9 | 48.375 | 1373.9 | 58.375 | 1644.1 | 68.375 | 1792.8 |
| 8.500 | 108.3 | 18.500 | 358.2 | 28.500 | 685.1 | 38.500 | 1041.2 | 48.500 | 1377.8 | 58.500 | 1646.9 | 68.500 | 1793.6 |
| 8.625 | 110.8 | 18.625 | 362.0 | 28.625 | 689.5 | 38.625 | 1045.6 | 48.625 | 1381.7 | 58.625 | 1649.6 | 68.625 | 1794.4 |
| 8.750 | 113.3 | 18.750 | 365.7 | 28.750 | 693.9 | 38.750 | 1050.1 | 48.750 | 1385.6 | 58.750 | 1652.3 | 68.750 | 1795.2 |
| 8.875 | 115.8 | 18.875 | 369.4 | 28.875 | 698.2 | 38.875 | 1054.5 | 48.875 | 1389.4 | 58.875 | 1655.0 | 68.875 | 1796.0 |
| 9.000 | 118.3 | 19.000 | 373.1 | 29.000 | 702.6 | 39.000 | 1058.9 | 49.000 | 1393.3 | 59.000 | 1657.7 | 69.000 | 1796.8 |
| 9.125 | 120.8 | 19.125 | 376.9 | 29.125 | 707.0 | 39.125 | 1063.3 | 49.125 | 1397.1 | 59.125 | 1660.3 | | |
| 9.250 | 123.4 | 19.250 | 380.7 | 29.250 | 711.4 | 39.250 | 1067.7 | 49.250 | 1400.9 | 59.250 | 1663.0 | | |
| 9.375 | 126.0 | 19.375 | 384.5 | 29.375 | 715.8 | 39.375 | 1072.1 | 49.375 | 1404.7 | 59.375 | 1665.6 | | |
| 9.500 | 128.5 | 19.500 | 388.2 | 29.500 | 720.2 | 39.500 | 1076.6 | 49.500 | 1408.5 | 59.500 | 1668.2 | | |
| 9.625 | 131.2 | 19.625 | 392.0 | 29.625 | 724.6 | 39.625 | 1081.0 | 49.625 | 1412.3 | 59.625 | 1670.8 | | |
| 9.750 | 133.8 | 19.750 | 395.9 | 29.750 | 729.0 | 39.750 | 1085.3 | 49.750 | 1416.1 | 59.750 | 1673.4 | | |
| 9.875 | 136.4 | 19.875 | 399.7 | 29.875 | 733.4 | 39.875 | 1089.7 | 49.875 | 1419.9 | 59.875 | 1675.9 | | |