

Every pump tested in water to ensure pump meets performance curve.



FEATURES/BENEFITS

PERFORMANCE

Heads up to 23' TDH
Flows up to 90 GPM

MOTOR

High efficient, 115v, oil filled, permanent split capacitor motor with upper and lower ball bearings and thermal overload protection

- Constant bearing lubrication
- Maximum motor cooling
- Runs cooler and lasts longer
- Internal overload protection
- Quiet operation
- Fasteners and shaft made from rugged, corrosion resistant stainless steel

SEAL DESIGN

Mechanical with secondary dynamic lip seal

- Provides added leakage protection

IMPELLER DESIGN

Non-clog style vortex impeller

- Designed to help reduce clogging by foreign material

POWER CORD

Sealed entry quick disconnect power cords

- Prevents water from entering the motor housing through a cut cord
- Easy to replace in the field
- Available in lengths up to 100'

SWITCH

Piggy-back switch design

- Defective switches can be diagnosed over the phone
- Pump can be operated manually or supplied with other piggy-back switches
- Switch can be replaced without having to replace the pump

APPLICATIONS

Basements, dewatering, septic systems, sewage lift stations, add-a-baths and truck docks

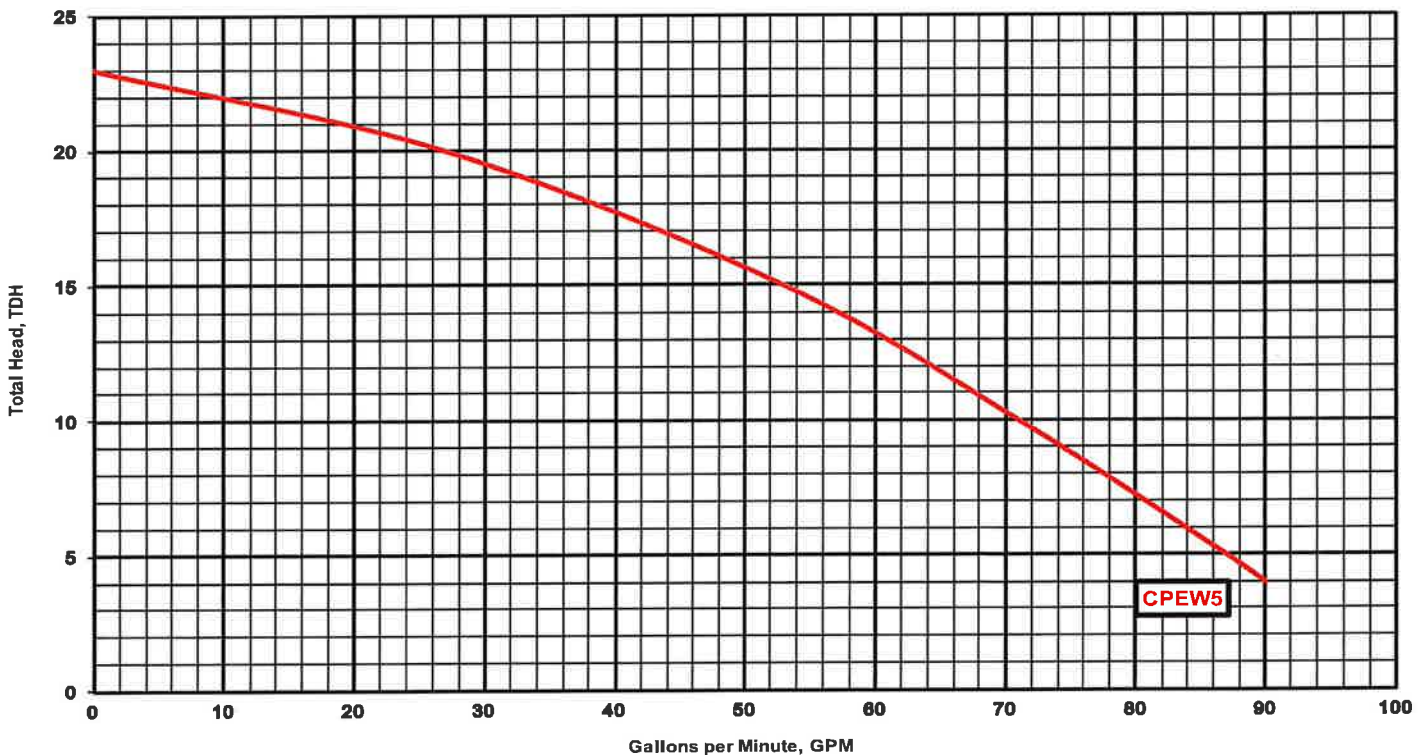


Wide-Angle Float

Vertical Float

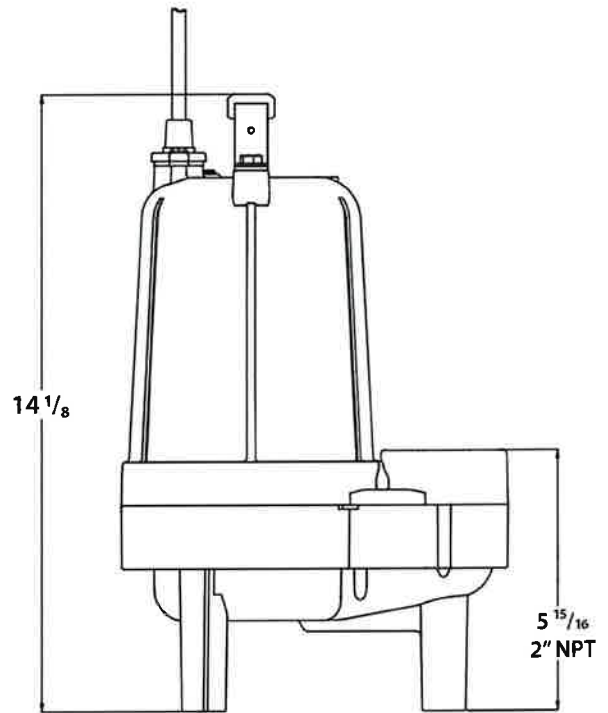
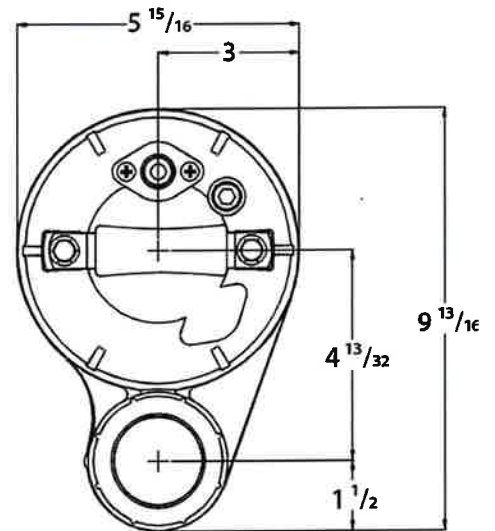
1/2 HP submersible pumps that handle up to 2" solids with 2" discharge

PERFORMANCE CURVE



TECHNICAL DATA

DISCHARGE	2" NPT. vertical standard
SOLIDS HANDLING	2"
LIQUID TEMPERATURE	140 Degrees F. (Intermittent)
MOTOR HOUSING	Cast Iron
VOLUTE	Engineered glass filled thermoplastic
SEAL PLATE	Cast Iron
IMPELLER	Engineered glass filled thermoplastic/ Vortex
SHAFT	Stainless Steel
SHAFT SEAL (SINGLE SEAL)	Mechanical with secondary dynamic lip seal, carbon rotating face, ceramic stationary face, Buna-N elastomer, 300 series stainless steel hardware
BEARINGS (UPPER & LOWER)	Single row, ball, oil lubricated
HARDWARE	300 Series stainless steel
O-RINGS	Buna-N
CORD	10' Length standard. Up to 100' available. (UL/CUL) Listed 16 AWG, Type SJTW
MOTOR (SINGLE PHASE)	1/2 HP 3450 RPM, 60 Hz, NEMA L Includes overload protection in the motor, oil filled, class B permanent split capacitor
WEIGHT	25 lbs. (Manual)



MODEL(S) INFORMATION

MODEL	HP	VOLTS	PHASE	AMPS	CORD LENGTH	SWITCH
CPEW5-11	1/2	115	1	9.5	10'	Manual
CPEW5-12	1/2	115	1	9.5	20'	Manual
CPEW5-13	1/2	115	1	9.5	30'	Manual
CPEW5-15	1/2	115	1	9.5	50'	Manual
CPEW5A-11	1/2	115	1	9.5	10'	Wide-Angle Float
CPEW5A-12	1/2	115	1	9.5	20'	Wide-Angle Float
CPEW5A-13	1/2	115	1	9.5	30'	Wide-Angle Float
CPEW5V-11	1/2	115	1	9.5	10'	Vertical Float
CPEW5V-12	1/2	115	1	9.5	20'	Vertical Float
CPEW5V-13	1/2	115	1	9.5	30'	Vertical Float